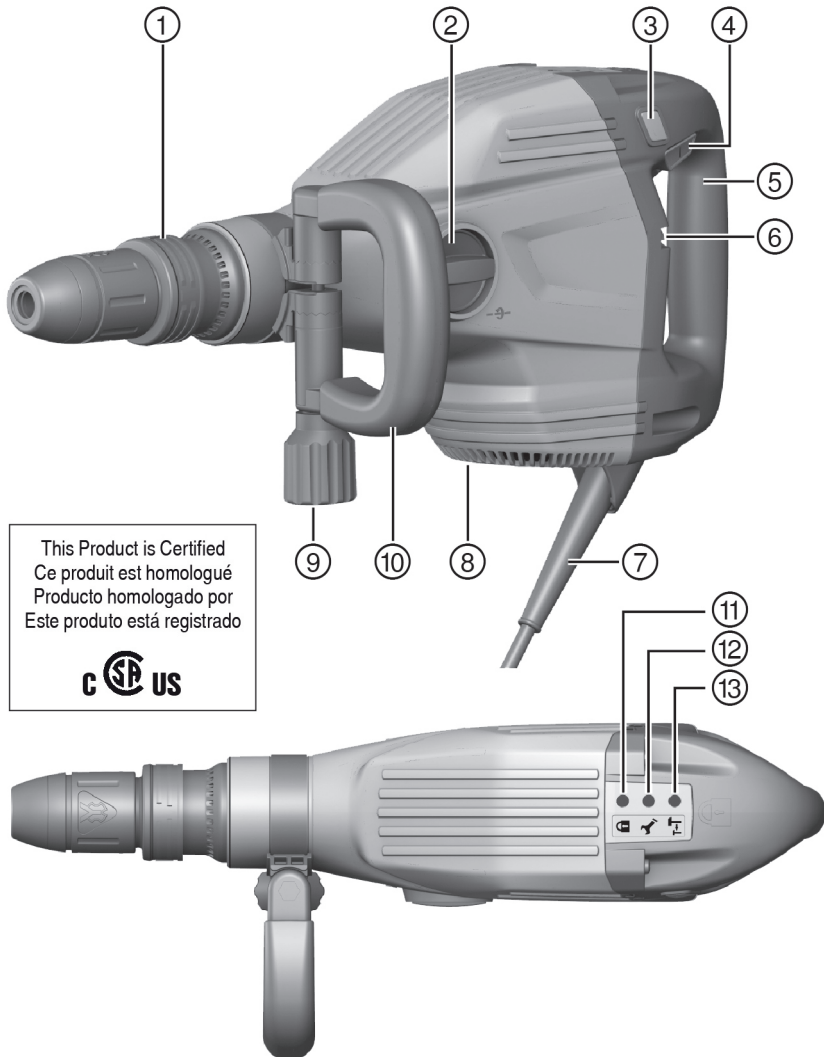


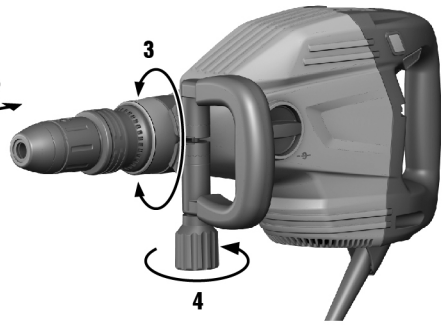
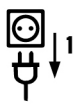


TE 700-AVR 01

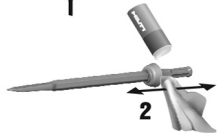
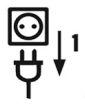
English	1
Français	7
Español	14
Português	20



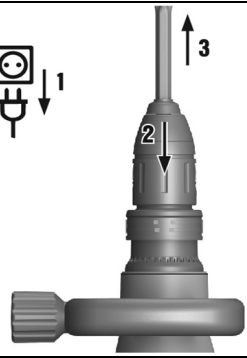
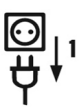
2



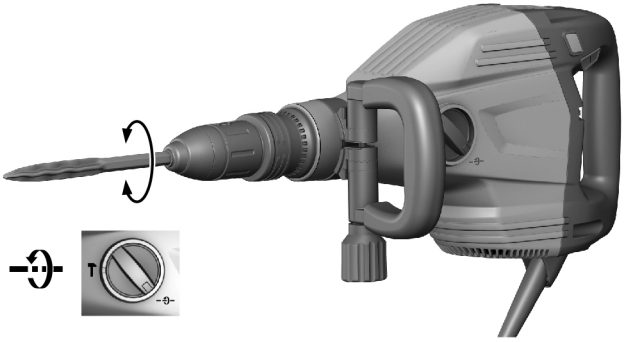
3



4



5





## en Original operating instructions

### Information about the operating instructions

#### About these operating instructions

- **Warning!** Read and understand all accompanying documentation, including but not limited to instructions, safety warnings, illustrations, and specifications provided with this product. Familiarize yourself with all the instructions, safety warnings, illustrations, specifications, components, and functions of the product before use. Failure to do so may result in electric shock, fire, serious injury or death. Save all warnings and instructions for future reference.
- products are designed for professional users and only trained, authorized personnel are permitted to operate, service and maintain the products. This personnel must be specifically informed about the possible hazards. The product and its ancillary equipment can present hazards if used incorrectly by untrained personnel or if used not in accordance with the intended use.
- The accompanying documentation corresponds to the current state of the art at the time of printing. Please always check for the latest version on the product's page on Hilti's website. To do this, follow the link or scan the QR code in this documentation, marked with the symbol
- The operating instructions must always remain ready to hand at the product. Ensure that these operating instructions are with the product when it is given to other persons.

#### Explanation of signs used

##### Warnings

Warnings alert persons to hazards that occur when handling or using the product. The following signal words are used:



**DANGER**

##### DANGER !

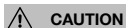
- ▶ Draws attention to imminent danger that will lead to serious personal injury or fatality.



**WARNING**

##### WARNING !

- ▶ Draws attention to a potential threat of danger that can lead to serious injury or fatality.



**CAUTION**

##### CAUTION !

- ▶ Draws attention to a potentially dangerous situation that could lead to personal injury or damage to the equipment or other property.

#### Symbols in the operating instructions

The following symbols are used in these operating instructions:

	Comply with the operating instructions
	Instructions for use and other useful information
	Cross-reference
	Dealing with recyclable materials
	Do not dispose of electric equipment and batteries as household waste

#### Symbols in the illustrations

The following symbols are used in illustrations:

	These numbers refer to the illustrations at the beginning of these operating instructions.
	The numbers in illustrations refer to important work steps or to components important for the work steps. In the text, the corresponding numbers draw attention to these work steps or components, e.g. <b>(3)</b> .
	Item reference numbers are used in the <b>overview illustration</b> and refer to the numbers used in the <b>product overview</b> section.
	This symbol is intended to draw your special attention to certain points for handling the product.

#### Symbols on the product

##### Symbols on the product

The following symbols are used on the product:

	Chiseling
	Chisel positioning



	Protection class II (double-insulated)
	Wear protective gloves

## Safety

### General power tool safety warnings

**⚠ WARNING** Read all safety warnings, instructions, illustrations and specifications provided with this power tool. Failure to follow all instructions listed below may result in electric shock, fire and/or serious injury.

#### Save all warnings and instructions for future reference.

The term "power tool" in the warnings refers to your mains-operated (corded) power tool or battery-operated (cordless) power tool.

#### Work area safety

- ▶ **Keep work area clean and well lit.** Cluttered or dark areas invite accidents.
- ▶ **Do not operate power tools in explosive atmospheres, such as in the presence of flammable liquids, gases or dust.** Power tools create sparks which may ignite the dust or fumes.
- ▶ **Keep children and bystanders away while operating a power tool.** Distractions can cause you to lose control.

#### Electrical safety

- ▶ **Power tool plugs must match the outlet. Never modify the plug in any way. Do not use any adapter plugs with earthed (grounded) power tools.** Unmodified plugs and matching outlets will reduce risk of electric shock.
- ▶ **Avoid body contact with earthed or grounded surfaces, such as pipes, radiators, ranges and refrigerators.** There is an increased risk of electric shock if your body is earthed or grounded.
- ▶ **Do not expose power tools to rain or wet conditions.** Water entering a power tool will increase the risk of electric shock.
- ▶ **Do not abuse the cord. Never use the cord for carrying, pulling or unplugging the power tool. Keep cord away from heat, oil, sharp edges or moving parts.** Damaged or entangled cords increase the risk of electric shock.
- ▶ **When operating a power tool outdoors, use an extension cord suitable for outdoor use.** Use of a cord suitable for outdoor use reduces the risk of electric shock.
- ▶ **If operating a power tool in a damp location is unavoidable, use a residual current device (RCD) protected supply.** Use of an RCD reduces the risk of electric shock.

#### Personal safety

- ▶ **Stay alert, watch what you are doing and use common sense when operating a power tool. Do not use a power tool while you are tired or under the influence of drugs, alcohol or medication.** A moment of inattention while operating power tools may result in serious personal injury.
- ▶ **Use personal protective equipment. Always wear eye protection.** Protective equipment such as a dust mask, non-skid safety shoes, hard hat or hearing protection used for appropriate conditions will reduce personal injuries.
- ▶ **Prevent unintentional starting. Ensure the switch is in the off-position before connecting to power source and/or battery pack, picking up or carrying the tool.** Carrying power tools with your finger on the switch or energising power tools that have the switch on invites accidents.
- ▶ **Remove any adjusting key or wrench before turning the power tool on.** A wrench or a key left attached to a rotating part of the power tool may result in personal injury.
- ▶ **Do not overreach. Keep proper footing and balance at all times.** This enables better control of the power tool in unexpected situations.
- ▶ **Dress properly. Do not wear loose clothing or jewellery. Keep your hair and clothing away from moving parts.** Loose clothes, jewellery or long hair can be caught in moving parts.
- ▶ **If devices are provided for the connection of dust extraction and collection facilities, ensure these are connected and properly used.** Use of dust collection can reduce dust-related hazards.
- ▶ **Do not let familiarity gained from frequent use of tools allow you to become complacent and ignore tool safety principles.** A careless action can cause severe injury within a fraction of a second.

#### Power tool use and care

- ▶ **Do not force the power tool. Use the correct power tool for your application.** The correct power tool will do the job better and safer at the rate for which it was designed.
- ▶ **Do not use the power tool if the switch does not turn it on and off.** Any power tool that cannot be controlled with the switch is dangerous and must be repaired.
- ▶ **Disconnect the plug from the power source and/or remove the battery pack, if detachable, from the power tool before making any adjustments, changing accessories, or storing power tools.** Such preventive safety measures reduce the risk of starting the power tool accidentally.
- ▶ **Store idle power tools out of the reach of children and do not allow persons unfamiliar with the power tool or these instructions to operate the power tool.** Power tools are dangerous in the hands of untrained users.
- ▶ **Maintain power tools and accessories. Check for misalignment or binding of moving parts, breakage of parts and any other condition that may affect the power tool's operation. If damaged, have the power tool repaired before use.** Many accidents are caused by poorly maintained power tools.
- ▶ **Keep cutting tools sharp and clean.** Properly maintained cutting tools with sharp cutting edges are less likely to bind and are easier to control.
- ▶ **Use the power tool, accessories and tool bits etc. in accordance with these instructions, taking into account the working conditions and the work to be performed.** Use of the power tool for operations different from those intended could result in a hazardous situation.
- ▶ **Keep handles and grasping surfaces dry, clean and free from oil and grease.** Slippery handles and grasping surfaces do not allow for safe handling and control of the tool in unexpected situations.



## Service

- ▶ **Have your power tool serviced by a qualified repair person using only identical replacement parts.** This will ensure that the safety of the power tool is maintained.

## Hammer safety warnings

### Safety instructions for all operations

- ▶ **Wear ear protectors.** Exposure to noise can cause hearing loss.
- ▶ **Use auxiliary handle(s), if supplied with the tool.** Loss of control can cause personal injury.
- ▶ **Hold the power tool by insulated gripping surfaces, when performing an operation where the cutting accessory may contact hidden wiring or its own cord.** Cutting accessory contacting a "live" wire may make exposed metal parts of the power tool "live" and could give the operator an electric shock.

### Additional safety instructions for breakers

#### Personal safety

- ▶ Use the product and accessories only when they are in perfect working order.
- ▶ Never tamper with or modify the product or accessories in any way.
- ▶ When chiseling into ceilings, walls and floors, always make sure that you have a safe and firm stance. A sudden break-through can affect your balance!
- ▶ Apply appropriate safety measures at the opposite side of the workpiece in work that involves breaking through. Parts breaking away could fall out and / or fall down causing injury to other persons.
- ▶ You and any other persons in the vicinity must wear suitable eye protection, a hard hat, ear protection, protective gloves and respiratory protection while the tool is in use.
- ▶ Wear protective gloves when changing the accessory tool. Touching the accessory tool can result in cuts and burns.
- ▶ Wear eye protection. Flying fragments present a risk of injury to the body and eyes.
- ▶ Dust produced by grinding, sanding, cutting and drilling can contain dangerous chemicals. Some examples are: lead or lead-based paints; brick, concrete and other masonry products, natural stone and other products containing silicates; certain types of wood, such as oak, beech and chemically treated wood; asbestos or materials that contain asbestos. Determine the exposure of the operator and bystanders by means of the hazard classification of the materials to be worked. Implement the necessary measures to restrict exposure to a safe level, for example by the use of a dust collection system or by the wearing of suitable respiratory protection. The general measures for reducing exposure include:
  - ▶ working in an area that is well ventilated,
  - ▶ avoidance of prolonged contact with dust,
  - ▶ directing dust away from the face and body,
  - ▶ wearing protective clothing and washing exposed areas of the skin with water and soap.
- ▶ Take frequent breaks and do physical exercises to improve the blood circulation in your fingers. High vibration during long periods of work can lead to disorders of the blood vessels and nervous system in the fingers, hands and wrists.

#### Electrical safety

- ▶ Before beginning work, check the working area for concealed electric cables or gas and water pipes. External metal parts of the product could give you an electric shock or cause an explosion if you accidentally damage an electric cable or a gas or water pipe.

#### Power tool use and care

- ▶ Switch the product on only after you have brought it to the working position.
- ▶ Wait until the product has come to a complete stop before you lay it down.

## Description

### Overview of the product

- |                                |   |
|--------------------------------|---|
| ① Chuck                        | ⑧ Air vents                             |
| ② Function selector switch     | ⑨ Knob                                  |
| ③ Power level selection switch | ⑩ Side handle                           |
| ④ On/off switch                | ⑪ Theft protection indicator (optional) |
| ⑤ Grip                         | ⑫ Service indicator                     |
| ⑥ Indicators                   | ⑬ Power level indicator                 |
| ⑦ Supply cord                  |   |

### Intended use

The product described is an electrically powered breaker for medium-duty chiseling work. It is designed for removing and breaking up concrete, masonry and stone.

- ▶ Operation is permissible only when connected to a power source providing a voltage and frequency in compliance with the information given on the type identification plate.

### Active Vibration Reduction (AVR)

The breaker is equipped with an Active Vibration Reduction (AVR) system, which reduces vibration significantly.

### Service indicator

The breaker is equipped with a service indicator LED.

Status	Meaning
The service indicator lights red.	End of service interval – servicing is due. A fault has occurred in the tool.



Status	Meaning
The service indicator blinks red.	The overheating prevention cut-out has been activated. The voltage provided by the electric supply is too high.



Bring the product to **Hilti** Service in good time. This will help to ensure that it's always ready for use.

#### Power level indicator

The breaker is equipped with a power level indicator LED.

Chiseling power can be reduced to approx. 70% by pressing the power level selector switch. The power level LED then lights up, indicating reduced power.

#### Restart interlock

The tool doesn't restart automatically when the power returns after an interruption in the supply. The on/off switch must first be released and then pressed again to restart.

#### Items supplied

Breaker, side handle, operating instructions.



You can find other system products approved for your product at your local **Hilti** Center or online at: [www.hilti.com](http://www.hilti.com)

#### Technical data

##### Breaker



For details of the rated voltage, frequency, current and input power, please refer to the power tool's country-specific type identification plate.

When powered by a generator or transformer, the generator or transformer's power output must be at least twice the rated input power shown on the rating plate of the power tool. The operating voltage of the transformer or generator must always be within +5% and -15% of the rated voltage of the power tool.

Single impact energy	11.5 J
Product generation	01
Weight	17.4 lb (7.9 kg)

#### Operation

##### Preparations at the workplace



#### CAUTION

**Risk of injury!** Inadvertent starting of the product.

- Unplug the supply cord before making adjustments to the power tool or before changing accessories.

Observe the safety instructions and warnings in this documentation and on the product.

##### Fitting the side handle 2



#### CAUTION

**Risk of injury!** Loss of control over the breaker.

- Check that the side handle is fitted correctly and tightened securely.
1. Slide the side handle clamping band over the tool holder from the front and into the recess provided.
  2. Bring the side handle into the desired position.
  3. Secure the side handle by turning the knob until the clamping band is tight.

##### Fitting the accessory tool 3



#### WARNING

**Risk of injury!** The accessory tool gets hot during use and may also have sharp edges.

- Wear protective gloves when changing the tool.



#### DANGER

**Risk of fire!** Risk of contact between the hot accessory tool and highly inflammable materials.

- Do not lay the hot accessory tool down on highly inflammable materials.



Check the accessory tool for damage or uneven wear each time before use and replace it if necessary.



Use only the recommended grease supplied by **Hilti**. Use of unsuitable grease may cause damage to the product.





1. Apply a little grease to the connection end of the accessory tool.
2. Push the accessory tool into the chuck as far as it will go, turning it and applying light pressure until it engages with an audible click.
  - ▶ The product is ready for use.



Use only the recommended grease supplied by **Hilti**. Use of unsuitable grease may cause damage to the product.

#### Removing the accessory tool **4**

##### DANGER

**Risk of fire!** Risk of contact between the hot accessory tool and highly inflammable materials.

- ▶ Do not lay the hot accessory tool down on highly inflammable materials.

##### WARNING

**Risk of injury!** The tool becomes hot as a result of use.

- ▶ Wear protective gloves when changing the tool.

1. Pull the chuck back.
2. Remove the accessory tool.



Use only the recommended grease supplied by **Hilti**. Use of unsuitable grease may cause damage to the product.

#### Positioning the chisel **5**



The chisel can be adjusted to 24 different positions (in 15° increments). This ensures that flat chisels and shaped chisels can always be set to the optimum working position.

- ▶ Set the function selector switch to and position the chisel as desired.

#### Locking the chisel

- ▶ Set the function selector switch to and rotate the chisel until it engages.

#### Setting the chiseling power



Chiseling power can be reduced to approx. 70% by pressing the power level selector switch. The power level LED then lights up, indicating reduced power.

Chiseling power can be adjusted only when the power tool is switched on and ready for use. To reselect full chiseling power, press the chiseling power level selector switch again. Switching off and then on again also causes the power tool to return to full chiseling power.

- ▶ Press the power level selector switch.

#### Types of work

##### WARNING

**Risk of electric shock!** Severe injury and burns can result if any attempt is made to operate the tool without an earth/ground conductor and ground fault circuit interrupter correctly connected.

- ▶ Irrespective of whether mains power or generator power is used, always make sure that an earth/ground conductor and ground fault circuit interrupter are present in the power supply and that these are correctly connected.
- ▶ Do not use the product unless these safety measures are in place and fully operational.

##### WARNING

**A damaged supply cord presents a hazard!** Do not touch the supply cord or extension cord if damaged while working. Disconnect the supply cord plug from the power outlet.

- ▶ Check the appliance's supply cord at regular intervals and have it replaced by a qualified specialist if found to be damaged.

Full approval must be obtained from the site engineer or architect prior to beginning the work.

#### Chiseling **6**

- ▶ Set the function selector switch to the position.

#### Care and maintenance

##### WARNING

**Electric shock hazard!** Attempting care and maintenance with the supply cord connected to a power outlet can lead to severe injury and burns.

- ▶ Always unplug the supply cord before carrying out care and maintenance tasks.

#### Care

- Carefully remove stubborn dirt.
- Carefully clean the air vents, if present, with a dry, soft brush.
- Use only a slightly damp cloth to clean the housing.



## Maintenance

### WARNING

**Danger of electric shock!** Improper repairs to electrical components may lead to serious injuries including burns.

► Repairs to the electrical section of the tool or appliance may be carried out only by trained electrical specialists.

- Check all visible parts and controls for signs of damage at regular intervals and make sure that they all function correctly.
- Do not use the product if signs of damage are found or if parts malfunction. Immediately have the product repaired by **Hilti Service**.
- After cleaning and maintenance, install all guards and protective devices and check that they are in full working order.



To help ensure safe and reliable operation, use only genuine Hilti spare parts, consumables and accessories. Spare parts, consumables and accessories approved by **Hilti** for use with your product can be found at your **Hilti Store** or online at: [www.hilti.group](http://www.hilti.group)

### Cleaning the dust shield

- Clean the dust shield on the chuck with a dry, clean cloth at regular intervals.
- Clean the sealing lip by wiping it carefully and then grease it again lightly with **Hilti** grease.
- It is essential that the dust shield is replaced if the sealing lip is damaged.

### Transport and storage

#### Transport

- Do not transport this product with an accessory tool installed.
- Make sure that the equipment is held securely throughout all transport operations.
- After transporting, always check all visible parts and controls for signs of damage and make sure that they all function correctly.

#### Storage

- Always store this product with the electric supply cable unplugged from the electricity supply.
- Store this product in a dry place, where it cannot be accessed by children or unauthorized persons.
- After a long period of storage, always check all visible parts and controls for signs of damage and make sure that they all function correctly.

### Troubleshooting

If the trouble you are experiencing is not listed in this table or you are unable to remedy the problem by yourself, please contact **Hilti Service**.

#### Troubleshooting

Trouble or fault	Possible cause	Action to be taken
The breaker doesn't start.	Electronics initialization in progress (takes up to 4 seconds after plugging in).	► Switch the power tool off and then on again.
	The electronic restart interlock is activated after an interruption in the electric supply.	► Switch the power tool off and then on again.
	Interruption in the electric supply.	► Plug in another electric tool or appliance and check whether it works.
	The generator is in sleep mode.	► Apply a load to the generator by connecting a second power consumer (e.g. worklight). Switch the tool off and then on again.
	The tool is faulty or servicing is due.	► Have the product repaired only by <b>Hilti Service</b> .
No hammering action.	The power tool is too cold.	► Bring the tip of the accessory tool into contact with the working surface, switch the power tool on and allow it to run. If necessary, repeat the procedure until the hammering mechanism begins to operate.
	Chuck not sufficiently greased.	► Inject 1-2 strokes of grease from the dispenser into the chuck. Use genuine <b>Hilti</b> grease. Then fit the accessory tool and distribute the grease in the chuck by pulling the accessory tool in and out several times.
The service indicator lights red.	The tool is faulty or servicing is due.	► Have the product repaired only by <b>Hilti Service</b> .
The service indicator blinks red.	The overheating prevention cut-out has been activated.	► Allow the tool to cool down. Clean the air vents. Running under no load is still possible.
	The voltage provided by the electric supply is too high.	► Use a different power outlet. Check the electric supply.
The breaker switches itself off while running.	The overheating prevention cut-out has been activated.	► Allow the tool to cool down. Clean the air vents. Running under no load is still possible.



Trouble or fault	Possible cause	Action to be taken
The breaker doesn't achieve full power.	Power reduction is active.	▶ Press the power level selector switch (observe the power level indicator). Unplug the power tool from the electric supply and then plug it back in.
	The extension cord is too long or its gauge is inadequate.	▶ Use an extension cord of an approved length and / or of adequate gauge.
	The voltage provided by the electric supply is too low.	▶ Connect the power tool to a different power source.
The chisel cannot be released from the chuck.	The chuck is not pulled back fully.	▶ Pull the tool lock back as far as it will go and remove the insert tool.

#### Disposal

Most of the materials from which Hilti tools and appliances are manufactured can be recycled. The materials must be correctly separated before they can be recycled. In many countries, your old tools, machines or appliances can be returned to Hilti for recycling. Ask Hilti Service or your Hilti representative for further information.



- ▶ Do not dispose of power tools, electronic equipment or batteries as household waste!

#### Manufacturer's warranty

- ▶ Please contact your local Hilti representative if you have questions about the warranty conditions.

## fr Mode d'emploi original

### Indications relatives au mode d'emploi

#### À propos de ce mode d'emploi

- **Avertissement !** Il convient de lire et comprendre toute la documentation jointe, y compris, sans s'y limiter, les instructions, avertissements de sécurité, illustration et spécifications fournies avec le présent produit. Prenez connaissance de toutes les instructions, avertissements de sécurité, illustrations, spécifications et fonctions du produit avant de l'utiliser. Le non-respect de ces instructions peut entraîner un risque d'électrocution, d'incendie, de blessures graves voire de mort. Conservez l'ensemble des avertissements et instructions pour consultation ultérieure.
- Les produits sont destinés aux professionnels et ne doivent être utilisés, entretenus et réparés que par un personnel autorisé et formé. Ce personnel doit être spécialement instruit quant aux dangers inhérents à l'utilisation de l'appareil. Le produit et ses accessoires peuvent s'avérer dangereux s'ils sont utilisés de manière incorrecte par un personnel non qualifié ou de manière non conforme à l'usage prévu.
- La documentation ci-jointe correspond à l'état actuel de la technique à la date d'impression. Veuillez toujours consulter la dernière version sur la page du produit sur le site Internet de Hilti. Pour ce faire, suivez le lien ou scannez le code QR dans la documentation, indiqué par le symbole .
- Le mode d'emploi doit toujours rester à portée de main à proximité du produit. Ne pas prêter ou céder le produit à un autre utilisateur sans lui fournir le présent mode d'emploi.

#### Explication des symboles

##### Avertissements

Les avertissements attirent l'attention sur des dangers liés à l'utilisation du produit. Les termes de signalisation suivants sont utilisés :



**DANGER**

##### DANGER !

- ▶ Pour un danger imminent qui peut entraîner de graves blessures corporelles ou la mort.



**AVERTISSEMENT**

##### AVERTISSEMENT !

- ▶ Pour un danger potentiel qui peut entraîner de graves blessures corporelles ou la mort.



**ATTENTION**

##### ATTENTION !

- ▶ Pour une situation potentiellement dangereuse pouvant entraîner des blessures corporelles ou des dégâts matériels.

#### Symboles dans le manuel d'utilisation

Les symboles suivants sont utilisés dans le présent manuel d'utilisation :

	Respecter le manuel d'utilisation
	Pour des conseils d'utilisation et autres informations utiles
	Référence croisée



428076

	Maniement des matériaux recyclables
	Ne pas jeter les appareils électriques et les accus dans les ordures ménagères

### Symboles dans les illustrations

Les symboles suivants sont utilisés dans les illustrations :

	Ces chiffres renvoient à l'illustration correspondante au début du présent manuel d'utilisation.
	La numérotation dans les illustrations indique les étapes de travail importantes ou les composants importants pour les étapes de travail. Dans le texte, ces étapes de travail ou composants sont mis en évidence avec les numéros correspondants, par ex. <b>{3}</b> .
	Les numéros de position sont utilisés dans l'illustration <b>Vue d'ensemble</b> et renvoient aux numéros des légendes dans la section <b>Vue d'ensemble du produit</b> .
	Ce signe doit inviter à manier le produit en faisant particulièrement attention.

### Symboles sur le produit

#### Symboles sur le produit

Les symboles suivants sont utilisés sur le produit :

	Burinage
	Positionnement du burin
	Classe de protection II (double isolation)
	Porter des gants de protection

### Sécurité

#### Indications générales de sécurité pour les appareils électriques

**⚠ AVERTISSEMENT** Lire toutes les consignes de sécurité et instructions, illustrations et caractéristiques techniques, qui accompagnent cet outil électroportatif. Tout manquement à l'observation des instructions suivantes risque de provoquer une électrocution, un incendie et/ou de graves blessures.

**Les consignes de sécurité et instructions doivent être intégralement conservées pour les utilisations futures.**

La notion d'« outil électroportatif » mentionnée dans les consignes de sécurité se rapporte à des outils électriques raccordés au secteur (avec câble d'alimentation) et à des outils électriques sur accus (sans câble d'alimentation).

#### Sécurité sur le lieu de travail

- ▶ **Conserver la zone de travail propre et bien éclairée.** Un lieu de travail en désordre ou mal éclairé augmente le risque d'accidents.
- ▶ **Ne pas faire fonctionner les outils électriques en atmosphère explosive et où se trouvent des liquides, des gaz ou poussières inflammables.** Les outils électriques produisent des étincelles qui peuvent enflammer les poussières ou les fumées.
- ▶ **Maintenir les enfants et les personnes présentes à l'écart pendant l'utilisation de l'outil électroportatif.** En cas d'inattention il y a un risque de perdre le contrôle de l'appareil.

#### Sécurité relative au système électrique

- ▶ **La fiche de secteur de l'outil électroportatif doit être adaptée à la prise de courant. Ne jamais modifier la fiche de quelque façon que ce soit. Ne pas utiliser d'adaptateurs avec des outils électriques à branchement de terre.** Des fiches non modifiées et des prises de courant adaptées réduiront le risque de choc électrique.
- ▶ **Éviter le contact physique avec des surfaces mises à la terre tels que tuyaux, radiateurs, cuisinières et réfrigérateurs.** Il y a un risque élevé de choc électrique au cas où votre corps serait relié à la terre.
- ▶ **Ne pas exposer les outils électroportatifs à la pluie ou à l'humidité.** La pénétration d'eau à l'intérieur d'un outil électroportatif augmentera le risque d'un choc électrique.
- ▶ **Ne jamais utiliser le câble de raccordement à d'autres fins que celles prévues, telles que pour porter, accrocher ou débrancher l'outil électroportatif de la prise de courant. Maintenir le câble de raccordement à l'écart de la chaleur, des parties grasses, des bords tranchants ou des parties en mouvement.** Des câbles de raccordement endommagés ou emmêlés augmentent le risque de choc électrique.
- ▶ **Si l'outil électroportatif est utilisé à l'extérieur, utiliser uniquement des câbles de rallonge homologués pour les applications extérieures.** L'utilisation d'un câble de rallonge homologué pour les applications extérieures réduit le risque d'un choc électrique.
- ▶ **Si l'utilisation de l'outil électrique dans un environnement humide ne peut pas être évitée, utiliser un interrupteur de protection contre les courants de court-circuit.** L'utilisation d'un tel interrupteur de protection réduit le risque d'une décharge électrique.

#### Sécurité des personnes

- ▶ **Rester vigilant, surveiller ce que l'on fait. Faire preuve de bon sens en utilisant l'outil électroportatif. Ne pas utiliser l'outil électroportatif en étant fatigué ou sous l'emprise de l'alcool, de drogues ou de médicaments.** Un moment d'inattention lors de l'utilisation de l'outil électroportatif peut entraîner des blessures graves.
- ▶ **Utiliser un équipement de protection personnel et toujours porter une protection pour les yeux.** Les équipements de protection personnels tels que masque antipoussière, chaussures de sécurité antidérapantes, casque de protection ou protection acoustique suivant l'utilisation de l'outil électroportatif, réduiront le risque de blessures des personnes.



- ▶ **Éviter une mise en service par mégarde. S'assurer que l'outil électroportatif est arrêté avant de le brancher à la source de courant et/ou à l'accu, de le prendre ou de le porter.** Le fait de porter l'outil électroportatif avec le doigt sur l'interrupteur ou de brancher l'appareil sur la source de courant lorsque l'interrupteur est en position de fonctionnement peut entraîner des accidents.
- ▶ **Retirer tout outil de réglage ou toute clé avant de mettre l'outil électroportatif en fonctionnement.** Une clé ou un outil se trouvant sur une partie en rotation peut causer des blessures.
- ▶ **Adopter une bonne posture. Veiller à toujours garder une position stable et équilibrée.** Cela permet un meilleur contrôle de l'outil électroportatif dans des situations inattendues.
- ▶ **S'habiller de manière adaptée. Ne pas porter de vêtements amples ni de bijoux. Garder les cheveux, les vêtements et les gants à distance des parties en mouvement.** Des vêtements amples, des bijoux ou des cheveux longs peuvent être happés par des parties en mouvement.
- ▶ **Si des dispositifs servant à aspirer ou à recueillir les poussières doivent être utilisés, s'assurer qu'ils sont effectivement raccordés et correctement utilisés.** L'utilisation d'un dispositif d'aspiration de la poussière peut réduire les risques dus aux poussières.
- ▶ **Ne pas sous-estimer les mesures de sécurité à prendre et ne pas ignorer sciemment les règles de sécurité applicables aux outils électriques, même si l'on est utilisateur chevronné après de fréquentes utilisations de l'outil électroportatif.** Un manque d'attention peut conduire à de graves blessures en quelques fractions de seconde.

#### Utilisation et maniement de l'outil électroportatif

- ▶ **Ne pas forcer l'appareil. Utiliser l'outil électroportatif adapté au travail à effectuer.** Un outil électroportatif approprié réalisera mieux le travail et de manière plus sûre au régime pour lequel il a été conçu.
- ▶ **Ne pas utiliser d'outil électroportatif dont l'interrupteur est défectueux.** Tout outil électroportatif qui ne peut plus être mis en ou hors fonctionnement est dangereux et doit être réparé.
- ▶ **Débrancher la fiche de la prise de courant et/ou l'accu amovible avant d'effectuer des réglages sur l'appareil, de changer les accessoires, ou de ranger l'appareil.** Cette mesure de précaution empêche une mise en fonctionnement par mégarde de l'outil électroportatif.
- ▶ **Conserver les outils électroportatifs non utilisés hors de portée des enfants. Ne permettre l'utilisation de l'appareil à aucune personne qui ne soit pas familiarisée avec celui-ci ou qui n'a pas lu ces instructions.** Les outils électroportatifs sont dangereux lorsqu'ils sont entre les mains de personnes non initiées.
- ▶ **Prendre soin des outils électroportatifs et des accessoires. Vérifier que les parties en mouvement fonctionnent correctement et qu'elles ne sont pas coincées, et contrôler si des parties sont cassées ou endommagées de sorte que le bon fonctionnement de l'outil électroportatif s'en trouve entravé. Faire réparer les parties endommagées avant d'utiliser l'appareil.** De nombreux accidents sont dus à des outils électroportatifs mal entretenus.
- ▶ **Garder les outils de coupe affûtés et propres.** Des outils destinés à couper correctement entretenus avec des arêtes de coupe tranchantes sont moins susceptibles de bloquer et sont plus faciles à contrôler.
- ▶ **L'outil électroportatif, les accessoires, les outils amovibles, etc. doivent être utilisés conformément à ces instructions. Tenir également compte des conditions de travail et du travail à réaliser.** L'utilisation des outils électroportatifs à d'autres fins que celles prévues peut entraîner des situations dangereuses.
- ▶ **Veiller à ce que les poignées et surfaces de préhension soient toujours être sèches, propres et exemptes de traces de graisse ou d'huile.** Avec des poignées et surfaces de préhension glissantes, la sécurité et le contrôle de l'outil électroportatif ne peuvent être assurés dans des situations inopinées.

#### Service

- ▶ **L'outil électroportatif doit uniquement être réparé par un personnel qualifié, utilisant exclusivement des pièces de rechange d'origine.** Ceci permet d'assurer la sécurité de l'outil électroportatif.

#### Indications générales de sécurité applicables aux burineurs

##### Consignes de sécurité pour tous les travaux

- ▶ **Porter un casque antibruit.** Le bruit peut entraîner des pertes auditives.
- ▶ **Utiliser la poignée supplémentaire livrée avec l'appareil.** La perte de contrôle peut entraîner des blessures.
- ▶ **Tenir l'appareil par les surfaces isolées des poignées lors des travaux pendant lesquels l'accessoire risque de toucher des câbles électriques cachés ou son propre câble d'alimentation réseau.** Le contact avec un câble sous tension risque de provoquer une décharge électrique.

##### Consignes de sécurité supplémentaires spécifiques au burineur

##### Sécurité des personnes

- ▶ Utiliser le produit et les accessoires uniquement s'ils sont en parfait état.
- ▶ Ne jamais entreprendre de manipulation ni de modification sur le produit ou les accessoires.
- ▶ Lors du burinage de plafonds, de murs et de planchers, veiller à conserver une position sûre et stable. Une percée soudaine peut déséquilibrer l'opérateur !
- ▶ Lors de travaux d'ajourage, protéger l'espace du côté opposé aux travaux. Des morceaux de matériaux risquent d'être éjectés et / ou de tomber, et de blesser d'autres personnes.
- ▶ Lors de l'utilisation de l'appareil, l'utilisateur et toute personne se trouvant à proximité doivent porter des lunettes de protection adéquates, un casque de protection, un casque antibruit, des gants de protection et un masque respiratoire léger.
- ▶ Porter des gants de protection pour changer d'outil. Risque de blessures par coupure et de brûlures au contact avec l'outil amovible.
- ▶ Porter des lunettes de protection. Les éclats de matière peuvent entraîner des blessures corporelles et aux yeux.
- ▶ La poussière générée par le meulage, le ponçage, le tronçonnage et le forage peut contenir des produits chimiques dangereux. Par exemple : plomb ou peinture à base de plomb ; brique, béton et autres produits de maçonnerie, pierre naturelle et autres produits contenant des silicates ; certains bois, tels que le chêne, le hêtre et le bois traité chimiquement ; amiante ou matériaux contenant de l'amiante. Déterminer l'exposition de l'opérateur et personnes se trouvant dans l'entourage en fonction de la classe de danger des matériaux traités. Prendre les mesures nécessaires pour maintenir l'exposition à un niveau sûr, par exemple en utilisant un système de collecte des poussières ou en portant une protection respiratoire appropriée. Mesures générales visant à réduire l'exposition :
  - ▶ Travailler dans un endroit bien ventilé



- ▶ Éviter le contact prolongé avec la poussière
- ▶ Faire en sorte que la poussière soit dirigée loin du visage et du corps
- ▶ Porter des vêtements de protection et laver les zones exposées à l'eau et au savon
- ▶ Faire régulièrement des pauses et des exercices pour favoriser l'irrigation sanguine dans les doigts. En cas de travaux prolongés, les fortes vibrations peuvent perturber la circulation dans les vaisseaux sanguins ou le système nerveux dans les doigts, les mains ou le poignet.

#### Sécurité relative au système électrique

- ▶ Avant d'entamer le travail, vérifier qu'il n'y a pas de câbles ou gaines électriques, tuyaux de gaz ou d'eau cachés dans la zone d'intervention. Les parties métalliques externes du produit peuvent provoquer un choc électrique ou une explosion si vous endommagez une ligne électrique, une conduite de gaz ou une conduite d'eau.

#### Utilisation et emploi soigneux de l'outil électroportatif

- ▶ Ne mettez le produit en marche qu'après l'avoir mis en position de travail.
- ▶ Attendre l'arrêt complet du produit avant de le déposer.

#### Description

##### Vue d'ensemble du produit

- |   |  |
|---|--|
| ① Mandrin                               | ⑧ Ouïes d'aération                                   |
| ② Sélecteur de fonction                 | ⑨ Pommeau  |
| ③ Commutateur de sélection de puissance | ⑩ Poignée latérale                                   |
| ④ Interrupteur Marche / Arrêt           | ⑪ Indicateur de protection contre le vol (en option) |
| ⑤ Poignée                               | ⑫ Indicateur de maintenance                          |
| ⑥ Affichages                            | ⑬ Indicateur de la puissance choisie                 |
| ⑦ Câble d'alimentation réseau           |  |

#### Utilisation conforme à l'usage prévu

Le produit décrit est un burineur électrique conçu pour des travaux de burinage moyens. Il est destiné aux travaux de démontage et de démolition dans le béton, la maçonnerie et la pierre.

- ▶ L'appareil ne doit fonctionner qu'avec la tension réseau et la fréquence réseau indiquées sur la plaque signalétique.

#### Active Vibration Reduction (AVR)

Le burineur est équipé d'un système Active Vibration Reduction (AVR) qui réduit de manière significative les vibrations.

#### Indicateur de maintenance

Le burineur est doté d'un indicateur de maintenance avec signal lumineux.

État	Signification
L'indicateur de maintenance s'allume en rouge.	La durée de fonctionnement pour une maintenance est atteinte. Dommages sur l'appareil.
L'indicateur de maintenance clignote en rouge.	Protection contre la surchauffe. La source d'alimentation électrique a une tension trop élevée.



Apporter le produit en temps voulu au S.A.V. **Hilti**. Il reste toujours prêt à fonctionner.

#### Indicateur de la puissance choisie

Le burineur est doté d'un indicateur de la puissance choisie avec signal lumineux.

Pour réduire la puissance de burinage à 70 % environ, appuyer sur le commutateur de sélection de puissance. À puissance réduite, l'indicateur de la puissance choisie est allumé.

#### Blocage contre toute mise en marche intempestive

L'appareil ne se remet pas de lui-même en marche après une coupure de courant. L'interrupteur Marche / Arrêt doit d'abord être relâché puis être à nouveau enfoncé.

#### Éléments livrés

Burineur, poignée latérale, mode d'emploi.



D'autres produits système autorisés pour votre produit peuvent être obtenus auprès du S.A.V. **Hilti** ou en ligne sous : [www.hilti.com](http://www.hilti.com)

#### Caractéristiques techniques

##### Burineur



Les données de tension nominale, courant nominal, fréquence et consommation nominale figurent sur la plaque signalétique spécifique au pays.

En cas d'utilisation avec un groupe électrogène ou un transformateur, leur puissance d'alimentation doit être au moins égale au double de la puissance indiquée sur la plaque signalétique de l'appareil. La tension de service du groupe électrogène ou du transformateur doit être toujours comprise entre +5 % et -15 % par rapport à la tension nominale de l'appareil.



Énergie libérée par coup	11,5 J
Génération de produit	01
Poids	17,4 lb (7,9 kg)

#### Utilisation

##### Préparatifs

#### ATTENTION

**Risque de blessures !** Mise en marche inopinée du produit.

- Retirer la fiche de la prise avant d'effectuer des réglages sur l'appareil ou de changer les accessoires.

Bien respecter les consignes de sécurité et les avertissements de la présente documentation ainsi que celles figurant sur le produit.

#### Montage de la poignée latérale

#### ATTENTION

**Risque de blessures** Perte de contrôle du burineur.

- S'assurer que la poignée latérale est bien montée et correctement serrée.

1. Pousser le dispositif de serrage (collier de serrage) et la poignée latérale vers l'avant sur le porte-outil jusqu'à la rainure prévue à cet effet.
2. Placer la poignée latérale dans la position souhaitée.
3. Tourner le pommeau afin de serrer le dispositif de serrage (collier de serrage) de la poignée latérale.

#### Mise en place de l'outil amovible

#### AVERTISSEMENT

**Risque de blessures** L'appareil peut être très chaud du fait de son utilisation ou présenter des arêtes vives.

- Porter des gants de protection pour changer d'outil.

#### DANGER

**Risque d'incendie** Danger en cas de contact entre l'appareil chaud et des matériaux facilement inflammables.

- Ne pas poser l'appareil chaud sur des matériaux facilement inflammables.



Avant chaque utilisation, vérifier que l'outil n'est pas endommagé et qu'il ne présente pas d'usure irrégulière, et le remplacer le cas échéant.



Utiliser exclusivement de la graisse **Hilti** d'origine. L'utilisation d'une graisse non appropriée peut engendrer des dommages sur le produit.

1. Graisser légèrement l'emmanchement de l'outil amovible.
2. Emmancher l'outil amovible à fond dans le porte-outil et le tourner en appuyant légèrement jusqu'à ce qu'il s'encliquette de manière audible.
  - Le produit est prêt à fonctionner.



Utiliser exclusivement de la graisse **Hilti** d'origine. L'utilisation d'une graisse non appropriée peut engendrer des dommages sur le produit.

#### Retrait de l'outil

#### DANGER

**Risque d'incendie** Danger en cas de contact entre l'appareil chaud et des matériaux facilement inflammables.

- Ne pas poser l'appareil chaud sur des matériaux facilement inflammables.

#### AVERTISSEMENT

**Risque de blessures** Après utilisation, l'outil peut être très chaud.

- Porter des gants de protection pour changer d'outil.

1. Tirer le porte-outil en arrière.
2. Retirer l'outil.



Utiliser exclusivement de la graisse **Hilti** d'origine. L'utilisation d'une graisse non appropriée peut engendrer des dommages sur le produit.

#### Positionnement du burin



Le burin peut être positionné dans 24 positions différentes (tous les 15°). Ainsi, que ce soit pour le burinage plat ou profilé, il est toujours possible de travailler dans la position optimale.

- Régler le sélecteur de fonction sur cette position et positionner le burin.



**Blocage du burin**

- ▶ Régler le sélecteur de fonction sur cette position **T**, tourner le burin jusqu'à ce qu'il s'encliquette.

**Réglage de la puissance de burinage**

Pour réduire la puissance de burinage à 70 % environ, appuyer sur le commutateur de sélection de puissance. À puissance réduite, l'indicateur de la puissance choisie est allumé.

La puissance de burinage peut seulement être réglée à l'état de fonctionnement en marche. Réappuyer sur le commutateur de sélection de puissance pour disposer à nouveau de la pleine puissance de burinage. De même, si l'appareil est arrêté puis remis en marche, la pleine puissance de burinage est à nouveau disponible.

- ▶ Appuyer sur le commutateur de sélection de puissance.

**Travail****AVERTISSEMENT**

**Risque d'électrocution !** L'absence de fil de terre et disjoncteur différentiel peut entraîner de graves blessures ou brûlures.

- ▶ Toujours vérifier sur le chantier que le câble d'alimentation électrique, provenant du secteur ou d'un générateur, est bien muni d'un fil de terre et d'un disjoncteur différentiel, et qu'il est effectivement bien raccordé.
- ▶ Ne pas utiliser ce produit si ces mesures de sécurité n'ont pas été prises.

**AVERTISSEMENT**

**Danger engendré par un câble endommagé !** Si le câble d'alimentation réseau ou de rallonge est endommagé pendant le travail, ne pas le toucher. Débrancher la prise.

- ▶ Contrôler régulièrement les câbles de raccordement de l'appareil et les faire remplacer par un spécialiste s'ils sont endommagés.

Faire confirmer l'ensemble des travaux par le maître d'œuvre !

**Burinage **

- ▶ Régler le sélecteur de fonction sur cette position **T**.

**Nettoyage et entretien****AVERTISSEMENT**

**Danger d'électrocution !** Les travaux de nettoyage et d'entretien effectués avec fiche branchée à la prise peuvent entraîner de graves blessures ou brûlures.

- ▶ Toujours retirer la fiche de la prise avant tous travaux de nettoyage et d'entretien !

**Nettoyage**

- Éliminer avec précaution les saletés récalcitrantes.
- Le cas échéant, nettoyer soigneusement les ouïes d'aération à l'aide d'une brosse sèche et douce.
- Nettoyer le carter de l'appareil uniquement avec un chiffon légèrement humide.

**Entretien****AVERTISSEMENT**

**Risque d'électrocution !** Des réparations inappropriées sur des composants électriques peuvent entraîner de graves blessures corporelles et brûlures.

- ▶ Toute réparation des pièces électriques ne doit être effectuée que par un électricien qualifié.
- Vérifier régulièrement qu'aucune pièce visible n'est endommagée et que les organes de commande sont parfaitement opérationnels.
- Ne pas utiliser le produit en cas d'endommagements et/ou de dysfonctionnements. Faire immédiatement réparer le produit par le S.A.V. Hilti.
- Après des travaux de nettoyage et d'entretien, vérifier si tous les équipements de protection sont bien en place et fonctionnent parfaitement.



Pour une utilisation en toute sécurité, utiliser uniquement des pièces de rechange, consommables et accessoires d'origine. Vous trouverez les pièces de rechange, consommables et accessoires autorisés par Hilti convenant pour votre produit dans le centre Hilti Store ou sous : [www.hilti.group](http://www.hilti.group)

**Nettoyage de la protection anti-poussière**

- ▶ Nettoyer régulièrement la protection anti-poussière au niveau du mandrin au moyen d'un chiffon propre et sec.
- ▶ Essuyer la lèvres d'étanchéité avec précaution et la graisser à nouveau légèrement avec de la graisse Hilti.
- ▶ Si la lèvres d'étanchéité est endommagée, remplacer impérativement la protection anti-poussière.

**Transport et entreposage****Transport**

- ▶ Ne jamais transporter ce produit avec outil monté.
- ▶ Veiller à le tenir fermement pendant le transport.
- ▶ Vérifier après chaque transport qu'aucune pièce visible n'est endommagée et que les organes de commande sont parfaitement opérationnels.

**Stockage**

- ▶ Toujours stocker l'appareil avec la fiche secteur débranchée.
- ▶ Stocker cet appareil à l'état sec hors de portée des enfants et des personnes non autorisées.
- ▶ Vérifier après un stockage prolongé qu'aucune pièce visible n'est endommagée et que les organes de commande sont parfaitement opérationnels.





## Aide au dépannage

En cas de défaillances non énumérées dans ce tableau ou auxquelles il n'est pas possible de remédier sans aide, contacter le S.A.V. **Hilti**.

### Guide de dépannage

Défaillance	Causes possibles	Solution
Le burineur ne démarre pas.	Initialisation de l'électronique en cours (attendre jusqu'à 4 secondes environ après le branchement de la fiche dans la prise).	▶ Arrêter puis remettre en marche l'appareil.
	Le dispositif de verrouillage anti-démarrage électronique après une coupure d'alimentation électrique est activé.	▶ Arrêter puis remettre en marche l'appareil.
	L'alimentation réseau est coupée.	▶ Brancher un autre appareil électrique et vérifier s'il fonctionne.
	Générateur en mode Veille.	▶ Charger le générateur avec un second consommateur (p. ex. lampe de chantier). Ensuite, arrêter puis remettre en marche l'appareil.
	Appareil endommagé ou l'échéance du prochain entretien est atteinte.	▶ Faire réparer le produit exclusivement par le S.A.V. <b>Hilti</b> .
Absence de percussion.	L'appareil est trop froid.	▶ Poser le burineur sur le support et le laisser tourner à vide. Répéter si nécessaire jusqu'à ce que le mécanisme de frappe fonctionne.
	Mandrin insuffisamment graissé.	▶ Donner 1 à 2 coups de graisse <b>Hilti</b> d'origine dans le mandrin, mettre ensuite l'outil en place et tirer plusieurs fois sur l'outil afin que la graisse se répartisse bien dans le mandrin.
L'indicateur de maintenance s'allume en rouge.	Appareil endommagé ou l'échéance du prochain entretien est atteinte.	▶ Faire réparer le produit exclusivement par le S.A.V. <b>Hilti</b> .
L'indicateur de maintenance clignote en rouge.	Protection contre la surchauffe.	▶ Laisser refroidir l'appareil. Nettoyer les ouïes d'aération. La marche à vide est encore possible.
	La source d'alimentation électrique a une tension trop élevée.	▶ Changer de prise. Contrôler le réseau d'alimentation.
Le burineur s'arrête en cours de fonctionnement.	Protection contre la surchauffe.	▶ Laisser refroidir l'appareil. Nettoyer les ouïes d'aération. La marche à vide est encore possible.
Le burineur n'atteint pas la pleine puissance.	Réduction de puissance activée.	▶ Actionner le commutateur de sélection de puissance (surveiller l'indicateur de puissance choisie). Débrancher et rebrancher l'appareil.
	Câble de rallonge trop long et / ou de section insuffisante.	▶ Utiliser des câbles de rallonge de longueur admissible et / ou de section suffisante.
	L'alimentation électrique a une tension trop faible.	▶ Raccorder l'appareil à une autre source d'alimentation électrique.
Impossible de sortir le burin du dispositif de verrouillage.	Le mandrin n'est pas complètement ouvert.	▶ Retirer le dispositif de verrouillage de l'outil jusqu'à la butée et sortir l'outil.

### Recyclage

Les appareils **Hilti** sont fabriqués pour une grande partie en matériaux recyclables. Le recyclage présuppose un tri adéquat des matériaux. **Hilti** reprend les appareils usagés dans de nombreux pays en vue de leur recyclage. Consulter le service clients **Hilti** ou un conseiller commercial.



- ▶ Ne pas jeter les appareils électriques, électroniques et accus dans les ordures ménagères !

### Garantie constructeur

- ▶ En cas de questions sur les conditions de garantie, veuillez vous adresser à votre partenaire **Hilti** local.



## es Manual de instrucciones original

### Información sobre el manual de instrucciones

#### Acerca de este manual de instrucciones

- **Advertencia** Asegúrese de haber leído y entendido toda la documentación adjunta, incluidas, entre otras, las instrucciones, advertencias de seguridad, ilustraciones y especificaciones que se proporcionan con este producto. Familiarícese con todas las instrucciones, advertencias de seguridad, ilustraciones, especificaciones, componentes y funciones del producto antes de utilizarlo. De lo contrario, existe peligro de descarga eléctrica, incendio, lesiones graves o muerte. Conserve todas las advertencias e instrucciones para futuras consultas.
- Los productos han sido diseñados para usuarios profesionales y solo personal autorizado y debidamente formado puede utilizarlos y llevar a cabo su mantenimiento y conservación. Este personal debe estar especialmente instruido en lo referente a los riesgos de uso. La utilización del producto y sus dispositivos auxiliares puede conllevar riesgos para el usuario en caso de manejarse de forma inadecuada por personal no cualificado o utilizarse para usos diferentes a los que están destinados.
- La documentación adjunta corresponde al estado actual de la técnica en el momento de la impresión. Compruebe siempre la última versión en la página del producto de la página web de Hilti. Para ello siga el enlace o escanee el código QR que figura en esta documentación y que se indica con el símbolo
- El manual de instrucciones siempre debe permanecer a mano junto al producto. No entregue nunca el producto a otras personas sin este manual de instrucciones.

#### Explicación de símbolos

##### Avisos

Las advertencias de seguridad advierten de peligros derivados del manejo del producto. Se utilizan las siguientes palabras de peligro:

**PELIGRO**

##### PELIGRO !

- Término utilizado para un peligro inminente que puede ocasionar lesiones graves o incluso la muerte.

**ADVERTENCIA**

##### ADVERTENCIA !

- Término utilizado para un posible peligro que puede ocasionar lesiones graves o incluso la muerte.

**PRECAUCIÓN**

##### PRECAUCIÓN !

- Término utilizado para una posible situación peligrosa que puede ocasionar lesiones o daños materiales.

#### Símbolos en el manual de instrucciones

En este manual de instrucciones se utilizan los siguientes símbolos:

	Consulte el manual de instrucciones
	Indicaciones de uso y demás información de interés
	Referencia cruzada
	Manejo con materiales reutilizables
	No tire las herramientas eléctricas y las baterías junto con los desperdicios domésticos

#### Símbolos en las figuras

En las figuras se utilizan los siguientes símbolos:

	Estos números hacen referencia a la figura correspondiente incluida al principio de este manual de instrucciones.
	La numeración en las figuras hace referencia a pasos de trabajo importantes o componentes importantes para los pasos de trabajo. Estos pasos de trabajo o componentes se resaltan en el texto mediante los correspondientes números, p. ej., (3).
	En la figura <b>Vista general</b> se utilizan números de posición y los números de la leyenda están explicados en el apartado <b>Vista general del producto</b> .
	Preste especial atención a este símbolo cuando utilice el producto.

#### Símbolos en el producto

##### Símbolos en el producto

En el producto se utilizan los siguientes símbolos:

	Cancelar
--	----------



	Colocar el cincel
	Clase de protección II (aislamiento doble)
	Utilizar guantes de protección

## Seguridad

### Indicaciones generales de seguridad para herramientas eléctricas

**⚠ ADVERTENCIA** Lea con atención todas las indicaciones de seguridad, instrucciones, ilustraciones y datos técnicos correspondientes a esta herramienta eléctrica. La negligencia en el cumplimiento de las instrucciones que se describen a continuación podría provocar descargas eléctricas, incendios o lesiones graves.

**Conserve todas las instrucciones e indicaciones de seguridad para futuras consultas.**

El término «herramienta eléctrica» empleado en las indicaciones de seguridad se refiere a herramientas eléctricas portátiles, ya sea con cable de red o sin cable, en caso de ser accionadas por batería.

### Seguridad en el puesto de trabajo

- ▶ **Mantenga su área de trabajo limpia y bien iluminada.** El desorden o una iluminación deficiente de las zonas de trabajo pueden provocar accidentes.
- ▶ **No utilice la herramienta eléctrica en un entorno con peligro de explosión en el que se encuentren líquidos, gases o polvos inflamables.** Las herramientas eléctricas producen chispas que pueden llegar a inflamar los materiales en polvo o vapores.
- ▶ **Mantenga alejados a los niños y otras personas de su puesto de trabajo al emplear la herramienta eléctrica.** Una distracción le puede hacer perder el control sobre la herramienta.

### Seguridad eléctrica

- ▶ **El enchufe de la herramienta eléctrica debe corresponder a la toma de corriente utilizada. No se deberá modificar el enchufe en forma alguna. No utilice enchufes adaptadores para las herramientas eléctricas con puesta a tierra.** Los enchufes sin modificar adecuados a las respectivas tomas de corriente reducen el riesgo de descarga eléctrica.
- ▶ **Evite el contacto corporal con superficies que tengan puesta a tierra, como pueden ser tubos, calefacciones, cocinas y frigoríficos.** El riesgo a quedar expuesto a una sacudida eléctrica es mayor si su cuerpo tiene contacto con tierra.
- ▶ **No exponga las herramientas eléctricas a la lluvia y evite que penetren líquidos en su interior.** El riesgo de recibir descargas eléctricas aumenta si penetra agua en la herramienta eléctrica.
- ▶ **No utilice el cable de conexión para transportar o colgar la herramienta eléctrica ni tire de él para extraer el enchufe de la toma de corriente. Mantenga el cable de conexión alejado de fuentes de calor, aceite, aristas afiladas o piezas móviles.** Los cables de conexión dañados o enredados pueden provocar descargas eléctricas.
- ▶ **Cuando trabaje al aire libre con una herramienta eléctrica, utilice exclusivamente un alargador adecuado para exteriores.** La utilización de un alargador adecuado para su uso en exteriores evita el riesgo de una descarga eléctrica.
- ▶ **Cuando no pueda evitarse el uso de la herramienta eléctrica en un entorno húmedo, utilice un interruptor de corriente de defecto.** La utilización de un interruptor de corriente de defecto evita el riesgo de una descarga eléctrica.

### Seguridad de las personas

- ▶ **Permanezca atento, preste atención durante el trabajo y utilice la herramienta eléctrica con prudencia. No utilice una herramienta eléctrica si está cansado, ni tampoco después de haber consumido alcohol, drogas o medicamentos.** Un momento de descuido al utilizar la herramienta eléctrica podría producir graves lesiones.
- ▶ **Utilice el equipo de seguridad personal adecuado y lleve siempre gafas protectoras.** El riesgo de lesiones se reduce considerablemente si, según el tipo y la aplicación de la herramienta eléctrica empleada, se utiliza un equipo de seguridad personal adecuado como una máscara antipolvo, calzado de protección con suela antideslizante, casco de protección o protección para los oídos.
- ▶ **Evite una puesta en servicio fortuita de la herramienta. Asegúrese de que la herramienta eléctrica está apagada antes de alzarla, transportarla, conectarla a la alimentación de tensión o insertar la batería.** Si transporta la herramienta eléctrica sujetándola por el interruptor o si introduce el enchufe en la alimentación de tensión con la herramienta conectada, podría producirse un accidente.
- ▶ **Retire las herramientas de ajuste o llaves fijas antes de conectar la herramienta eléctrica.** Una herramienta o llave colocada en una pieza giratoria puede producir lesiones al ponerse en funcionamiento.
- ▶ **Evite adoptar posturas forzadas. Procure que la postura sea estable y manténgase siempre en equilibrio.** De esta forma podrá controlar mejor la herramienta eléctrica en caso de presentarse una situación inesperada.
- ▶ **Utilice ropa adecuada. No utilice vestimenta amplia ni joyas. Mantenga su pelo, vestimenta y guantes alejados de las piezas móviles.** La vestimenta suelta, las joyas y el pelo largo se pueden enganchar con las piezas en movimiento.
- ▶ **Siempre que sea posible montar equipos de aspiración o captación de polvo, asegúrese de que están conectados y de que se utilizan correctamente.** El uso de un sistema de aspiración de polvo reduce los riesgos derivados del polvo.
- ▶ **No se crea a salvo de cualquier riesgo ni pase por alto ninguna de las normas de seguridad relativas a las herramientas eléctricas, aun cuando esté familiarizado con la herramienta eléctrica y tenga larga experiencia en su uso.** Una actuación negligente puede provocar lesiones graves en cuestión de segundos.

### Uso y manejo de la herramienta eléctrica

- ▶ **No sobrecargue la herramienta. Utilice la herramienta eléctrica adecuada para el trabajo que se dispone a realizar.** Con la herramienta eléctrica apropiada podrá trabajar mejor y de modo más seguro dentro del margen de potencia indicado.
- ▶ **No utilice herramientas eléctricas con el interruptor defectuoso.** Las herramientas eléctricas que no se puedan conectar o desconectar son peligrosas y deben repararse.
- ▶ **Extraiga el enchufe de la toma de corriente o retire la batería extraíble antes de efectuar cualquier ajuste en la herramienta, cambiar accesorios o en caso de no utilizar la herramienta durante un tiempo prolongado.** Esta medida preventiva evita el riesgo de arranque accidental de la herramienta eléctrica.



- ▶ **Guarde las herramientas eléctricas que no utilice fuera del alcance de los niños. No permita utilizar la herramienta a ninguna persona que no esté familiarizada con ella o que no haya leído este manual de instrucciones.** Las herramientas eléctricas utilizadas por personas inexpertas son peligrosas.
- ▶ **Cuide su herramienta eléctrica y los accesorios adecuadamente. Compruebe si las piezas móviles de la herramienta funcionan correctamente y sin atascarse, y si existen piezas rotas o deterioradas que pudieran afectar al funcionamiento de la herramienta eléctrica. Encargue la reparación de las piezas defectuosas antes de usar la herramienta eléctrica.** Muchos accidentes son consecuencia de un mantenimiento inadecuado de la herramienta eléctrica.
- ▶ **Mantenga los útiles limpios y afilados.** Las herramientas de corte bien cuidadas y con aristas afiladas se atascan menos y se guían con más facilidad.
- ▶ **Utilice la herramienta eléctrica, los accesorios, útiles de inserción, etc., de acuerdo con estas instrucciones. Para ello, tenga en cuenta las condiciones de trabajo y la tarea que se va a realizar.** El uso de herramientas eléctricas para trabajos diferentes de aquellos para los que han sido concebidas puede resultar peligroso.
- ▶ **Mantenga las empuñaduras y las superficies de contacto secas, limpias y sin residuos de aceite o grasa.** Las empuñaduras y superficies de contacto resbaladizas impiden manejar y controlar la herramienta eléctrica con seguridad en situaciones imprevistas.

#### Servicio Técnico

- ▶ **Solicite que un profesional lleve a cabo la reparación de su herramienta eléctrica y que utilice exclusivamente piezas de repuesto originales.** Solamente así se garantiza la seguridad de la herramienta eléctrica.

#### Indicaciones de seguridad para martillos

##### Indicaciones de seguridad para todos los trabajos

- ▶ **Utilice protección para los oídos.** El ruido constante puede reducir la capacidad auditiva.
- ▶ **Utilice las empuñaduras adicionales que se suministran con la herramienta.** La pérdida del control puede causar lesiones.
- ▶ **Sujete la herramienta por las empuñaduras aisladas cuando realice trabajos en los que el útil puede entrar en contacto con cables eléctricos ocultos o con el propio cable de la herramienta.** El contacto con los cables conductores puede traspasar la conductividad a las partes metálicas y producir descargas eléctricas.

##### Indicaciones de seguridad adicionales para el martillo rompedor

##### Seguridad de las personas

- ▶ Utilice el producto y los accesorios solo si están en perfecto estado técnico.
- ▶ No efectúe nunca manipulaciones o modificaciones en el producto ni en los accesorios.
- ▶ Al cincelar techos, muros y suelos, mantenga siempre una posición segura y firme. De lo contrario, podría perder el equilibrio al traspasar el material repentinamente.
- ▶ Durante el proceso de taladrado, proteja la zona opuesta al lugar donde se realiza el trabajo, ya que pueden desprenderse cascotes y causar heridas a otras personas.
- ▶ Durante el uso, tanto usted como las personas que se encuentren en las inmediaciones deberán llevar gafas protectoras adecuadas, casco de protección, protección para los oídos, guantes de protección y una mascarilla ligera.
- ▶ Utilice guantes de protección para cambiar el útil. El contacto con el útil de inserción puede producir cortes y quemaduras.
- ▶ Utilice protección para los ojos. El material que sale disparado puede ocasionar lesiones en los ojos y en el cuerpo.
- ▶ El polvo que se genera al pulir, lijar, cortar y taladrar puede contener productos químicos peligrosos, como, por ejemplo, plomo o pinturas basadas en plomo; ladrillos, hormigón y otros productos de mampostería, piedra natural y otros productos que contengan silicatos; determinadas maderas, como el roble o el haya o las maderas tratadas químicamente, o amianto o materiales que contengan asbesto. La exposición del usuario y las personas circundantes debe regularse según la clase de peligro de los materiales con los que se trabaje. Tome las medidas necesarias para mantener la exposición a un nivel seguro, p. ej., mediante el uso de un sistema de recogida de polvo o una mascarilla adecuada. Las medidas genéricas para reducir la exposición son, entre otras:
  - ▶ trabajar en un espacio bien ventilado;
  - ▶ evitar el contacto prolongado con el polvo;
  - ▶ desviar el polvo de la cara y el cuerpo;
  - ▶ usar prendas protectoras y lavar con agua y jabón las zonas expuestas.
- ▶ Efectúe a menudo pausas y ejercicios para mejorar la circulación de los dedos. Tras muchas horas de trabajo expuesto a las vibraciones intensas, pueden surgir complicaciones en los vasos sanguíneos o en el sistema nervioso en dedos, manos o articulaciones de las manos.

##### Seguridad eléctrica


- ▶ Antes de empezar a trabajar, compruebe si la zona de trabajo oculta cables eléctricos, tuberías de gas o cañerías de agua. Las partes metálicas exteriores del producto pueden provocar una descarga eléctrica o una explosión si se daña un cable eléctrico, una tubería de gas o una cañería de agua.

##### Manipulación y utilización segura de las herramientas eléctricas

- ▶ No conecte el producto hasta que este se encuentre en la posición de trabajo.
- ▶ Espere hasta que el producto se haya detenido antes de dejarlo en ninguna superficie.

#### Descripción

##### Vista general del producto

 1	Portátiles	 7	Cable de red
 2	Interruptor selector de funciones	 8	Rejillas de ventilación
 3	Interruptor selector de potencia	 9	Mango
 4	Interruptor de conexión y desconexión	 10	Empuñadura lateral
 5	Empuñadura	 11	Indicador de protección antirrobo (opcional)
 6	Indicadores		



⑫ Indicador de funcionamiento

⑬ Indicador selector de potencia

### Uso conforme a las prescripciones

El producto descrito es un martillo rompedor eléctrico para trabajos de cincelado de complejidad media. Resulta apropiado para trabajos de demolición y desmontaje de hormigón, mampostería y piedra.

► Solo debe funcionar con la frecuencia y tensión de alimentación especificadas en la placa de identificación.

### Active Vibration Reduction (AVR)

El martillo rompedor está equipado con un sistema Active Vibration Reduction (AVR) que reduce considerablemente las vibraciones.

### Indicador de funcionamiento

El martillo rompedor incorpora un indicador de funcionamiento con señal luminosa.

Estado	Significado
El indicador de funcionamiento se ilumina en rojo.	Se ha alcanzado el plazo de funcionamiento de la herramienta hasta la siguiente revisión por parte del Servicio Técnico. Existe un fallo en la herramienta.
El indicador de funcionamiento parpadea en rojo.	Protección contra sobrecalentamiento. La tensión de la alimentación de corriente es muy alta.



Lleve a tiempo el producto al Servicio Técnico de **Hilti**, así siempre estará a punto.

### Indicador selector de potencia

El martillo rompedor incorpora un indicador selector de potencia con señal luminosa.

Presionando el interruptor selector de potencia puede reducirse la potencia de cincelado a aprox. el 70 %. Con la potencia reducida, se ilumina el indicador selector de potencia.

### Bloqueo de arranque

La herramienta no arranca por sí misma después de haberse producido un corte de la corriente. Será necesario soltar primero el interruptor de conexión y desconexión y accionarlo de nuevo.

### Suministro

Martillo rompedor, empuñadura lateral, manual de instrucciones.



Encontrará otros productos del sistema autorizados para su producto en su Centro **Hilti** o en internet, en [www.hilti.com](http://www.hilti.com)

### Datos técnicos

#### Martillo rompedor



La tensión nominal, la intensidad nominal, la frecuencia y la potencia nominal figuran en la placa de identificación específica del país.

Si se utiliza con un generador o transformador, la potencia útil debe ser al menos el doble de la potencia nominal indicada en la placa de identificación de la herramienta. La tensión de servicio del transformador o del generador debe encontrarse en todo momento entre un +5 % y un -15 % de la tensión nominal de la herramienta.

Energía por impacto	11,5 J
Generación de productos	01
Peso	17,4 lb (7,9 kg)

### Manejo

#### Preparación del trabajo



#### PRECAUCIÓN

**Riesgo de lesiones.** Arranque involuntario del producto.

► Extraiga el enchufe de red antes de realizar ajustes en la herramienta o de cambiar accesorios.

Respete las indicaciones de seguridad y las advertencias presentes en esta documentación y en el producto.

#### Montaje de la empuñadura lateral **2**



#### PRECAUCIÓN

**Riesgo de lesiones** Pérdida del control del martillo rompedor.

► Asegúrese de que la empuñadura lateral esté correctamente montada y fijada conforme a las prescripciones.

1. Deslice el soporte (banda de sujeción) y la empuñadura lateral desde delante a través del portaútiles hasta la ranura prevista para ello.
2. Coloque la empuñadura lateral en la posición deseada.
3. Gire el mango para fijar el soporte (banda de sujeción) de la empuñadura lateral.



428076

**Colocación del útil de inserción 3****⚠ ADVERTENCIA**

**Riesgo de lesiones** El útil se calienta debido al uso y puede presentar cantos afilados.

- Utilice guantes de protección para cambiar el útil.

**⚠ PELIGRO**

**Riesgo de incendio** Peligro por el contacto de la herramienta caliente con materiales fácilmente inflamables.

- No deje la herramienta caliente sobre un material fácilmente inflamable.



Compruebe antes de cada uso si el útil presenta algún daño o deterioro irregular y sustitúyalo en caso necesario.



Utilice únicamente grasa original de **Hilti**. El uso de una grasa inadecuada puede provocar daños en el producto.

1. Engrase ligeramente el extremo del útil de inserción.
2. Inserte el útil de inserción en el portaútiles y gírelo ejerciendo una leve presión hasta que encaje de forma audible.
  - El producto está listo para funcionar.



Utilice únicamente grasa original de **Hilti**. El uso de una grasa inadecuada puede provocar daños en el producto.

**Extracción del útil 4****⚠ PELIGRO**

**Riesgo de incendio** Peligro por el contacto de la herramienta caliente con materiales fácilmente inflamables.

- No deje la herramienta caliente sobre un material fácilmente inflamable.

**⚠ ADVERTENCIA**

**Riesgo de lesiones** El útil se calienta debido al uso.

- Utilice guantes de protección para cambiar el útil.

1. Tire del portaútiles hacia atrás.
2. Extraiga el útil.



Utilice únicamente grasa original de **Hilti**. El uso de una grasa inadecuada puede provocar daños en el producto.

**Colocación del cincel 5**

El cincel cuenta con 24 posiciones de ajuste diferentes (en intervalos de 15°). De ese modo, siempre se adopta la mejor posición en los trabajos con cincel plano y cincel de perfilar.

- Sitúe el interruptor selector de funciones en esta posición y coloque el cincel.

**Bloqueo del cincel**

- Sitúe el interruptor selector de funciones en esta posición **T** y gire el cincel hasta que encaje.

**Ajuste de la potencia de cincelado**

Presionando el interruptor selector de potencia puede reducirse la potencia de cincelado a aprox. el 70 %. Con la potencia reducida, se ilumina el indicador selector de potencia.

La potencia de cincelado solo puede ajustarse estando el estado de carga activado. Si se vuelve a presionar el interruptor selector de potencia, se dispone nuevamente del 100 % de la potencia de cincelado. Si se desconecta la herramienta y vuelve a conectarse, también vuelve a disponerse nuevamente del 100 % de la potencia de cincelado.

- Pulse el interruptor selector de potencia.

**Procedimiento de trabajo****⚠ ADVERTENCIA**

**Riesgo de descarga eléctrica.** La ausencia de conductores de puesta a tierra e interruptores de corriente de defecto puede causar lesiones y quemaduras graves.

- Compruebe que la alimentación eléctrica de la obra, ya sea de la red o del generador, dispone de conductores de puesta a tierra e interruptores de corriente de defecto y de que estos están conectados.
- No ponga en marcha ningún producto si no se cumplen estas medidas de seguridad.



**⚠ ADVERTENCIA**

**Peligro por los cables dañados.** Si se daña el cable de red o el alargador durante el trabajo, evitar tocar el cable. Extraer el enchufe de red de la toma de corriente.

- ▶ Compruebe con regularidad el cable de conexión de la herramienta y, en caso de que presentara daños, encargue su sustitución a un profesional experto en la materia.

Encargue la autorización de todos los trabajos a la dirección de la obra.

**Cincelado**

- ▶ Sitúe el interruptor selector de funciones en esta posición .

**Cuidado y mantenimiento**

**⚠ ADVERTENCIA**

**Peligro de descarga eléctrica.** La realización de tareas de cuidado y mantenimiento con el enchufe conectado a la toma de corriente de puede provocar lesiones y quemaduras graves.

- ▶ Extraiga siempre el enchufe de la toma de corriente antes de realizar cualquier tarea de cuidado y mantenimiento.

**Cuidado**

- Elimine con precaución la suciedad fuertemente adherida.
- Las rejillas de ventilación, si las hay, deben limpiarse con cuidadosamente con un cepillo seco y suave.
- Limpie la carcasa solo con un paño ligeramente humedecido.

**Mantenimiento**

**⚠ ADVERTENCIA**

**Riesgo de descarga eléctrica.** Las reparaciones indebidas en componentes eléctricos pueden producir lesiones graves y quemaduras.

- ▶ Las reparaciones de la parte eléctrica sólo puede llevarlas a cabo un técnico electricista cualificado.
- Compruebe con regularidad que las piezas visibles no estén dañadas y los elementos de manejo funcionen correctamente.
- No utilice el producto si presenta daños o fallos que afecten al funcionamiento. Encargue inmediatamente la reparación del producto al Servicio Técnico de **Hilti**.
- Tras las tareas de cuidado y mantenimiento, coloque todos los dispositivos de protección y asegúrese de que funcionen correctamente.



Para garantizar un correcto funcionamiento, utilice exclusivamente piezas de repuesto, material de consumo y accesorios originales. Las piezas de repuesto, los materiales de consumo y los accesorios autorizados por **Hilti** se pueden consultar en su **Hilti Store** o en: [www.hilti.group](http://www.hilti.group)

**Limpieza de la tapa de protección contra el polvo**

- ▶ Limpie regularmente la tapa de protección contra el polvo del portaútiles con un paño limpio y seco.
- ▶ Limpie con cuidado la falda de obturación y vuelva a lubricarla ligeramente con grasa **Hilti**.
- ▶ Sustituya la tapa de protección contra el polvo de inmediato si la falda de obturación está dañada.

**Transporte y almacenamiento**

**Transporte**

- ▶ No transporte este producto con el útil insertado.
- ▶ Asegúrese de que durante el transporte esté bien sujeto.
- ▶ Compruebe tras cada transporte si las piezas visibles están dañadas o si los elementos de manejo funcionan correctamente.

**Almacenamiento**

- ▶ Almacene este producto siempre con los enchufes desconectados.
- ▶ Guarde este producto en un lugar seco y fuera del alcance de niños y personas no autorizadas.
- ▶ Cuando lleve mucho tiempo almacenado, compruebe si las piezas visibles están dañadas y si los elementos de manejo funcionan correctamente.

**Ayuda en caso de averías**

Si se producen averías que no estén incluidas en esta tabla o que no pueda solucionar usted, diríjase al Servicio Técnico de **Hilti**.

**Localización de averías**

Anomalía	Posible causa	Solución
El martillo rompedor no se pone en marcha.	Inicialización de la electrónica en curso (aprox. 4 s a partir de la conexión del enchufe).	▶ Desconecte la herramienta y vuélvala a conectar.
	El bloqueo de arranque electrónico permanece activo después de una interrupción de la alimentación de corriente.	▶ Desconecte la herramienta y vuélvala a conectar.
	Interrumpido el suministro de corriente.	▶ Conecte otra herramienta eléctrica y compruebe si funciona.
	Generador en modo de reposo.	▶ Aplique una carga al generador utilizando un segundo consumidor (p. ej., una lámpara de obras). Desconecte a continuación la herramienta y vuélvala a conectar.



Anomalia	Posible causa	Solución
El martillo rompedor no se pone en marcha.	Daños en la herramienta o se ha alcanzado el plazo de funcionamiento de la herramienta hasta la siguiente revisión por parte del Servicio Técnico.	► Encargue la reparación del producto solo al Servicio Técnico de <b>Hilti</b> .
No hay percusión.	Herramienta demasiado fría.	► Apoye el martillo rompedor en la superficie de trabajo y déjelo funcionando con la marcha en vacío. Repita esta acción si es necesario hasta que funcione el mecanismo de percusión.
	El portaútiles no está bien engrasado.	► Aplique 1 o 2 emboladas de grasa original <b>Hilti</b> en el portaútiles; a continuación, inserte el útil y tire de él varias veces para que la grasa se reparta uniformemente dentro del portaútiles.
El indicador de funcionamiento se ilumina en rojo.	Daños en la herramienta o se ha alcanzado el plazo de funcionamiento de la herramienta hasta la siguiente revisión por parte del Servicio Técnico.	► Encargue la reparación del producto solo al Servicio Técnico de <b>Hilti</b> .
El indicador de funcionamiento parpadea en rojo.	La protección contra sobrecalentamiento está activada.	► Deje que la herramienta se enfríe. Limpie las rejillas de ventilación. Todavía es posible el funcionamiento con marcha en vacío.
	La tensión de la alimentación de corriente es muy alta.	► Cambie la toma de corriente. Compruebe la red.
El martillo rompedor se desconecta durante el funcionamiento.	La protección contra sobrecalentamiento está activada.	► Deje que la herramienta se enfríe. Limpie las rejillas de ventilación. Todavía es posible el funcionamiento con marcha en vacío.
El martillo rompedor no desarrolla toda la potencia.	La reducción de potencia está activada.	► Accione el interruptor selector de potencia (observe el indicador selector de potencia). Desconecte la herramienta y vuelva a conectarla.
	El alargador es demasiado largo o no tiene la sección transversal suficiente.	► Utilice un alargador con una longitud permitida o con una sección transversal suficiente.
	La tensión de la alimentación de corriente es muy baja.	► Conecte la herramienta a otra alimentación de tensión.
El cincel no se puede desbloquear.	El portaútiles no está retirado por completo.	► Retire el bloqueo del útil hasta el tope y extraiga el útil.

#### Reciclaje

Las herramientas **Hilti** están fabricadas en su mayor parte con materiales reutilizables. La condición para dicha reutilización es una separación adecuada de los materiales. En muchos países, **Hilti** recoge las herramientas usadas para su recuperación. Pregunte en el Servicio de Atención al Cliente de **Hilti** o a su asesor de ventas.



- No deseche las herramientas eléctricas, los aparatos eléctricos ni las baterías junto con los residuos domésticos.

#### Garantía del fabricante

- Si tiene alguna consulta acerca de las condiciones de la garantía, póngase en contacto con su sucursal local de **Hilti**.

## pt Manual de instruções original

### Indicações sobre o Manual de instruções

#### Relativamente a este Manual de instruções

- **Aviso!** Antes de utilizar o produto, certifique-se de que leu e compreendeu o Manual de instruções fornecido com o produto incluindo as instruções, instruções de segurança e advertências, figuras e especificações. Familiarize-se sobretudo com todas as instruções, instruções de segurança e advertências, figuras, especificações, bem como com componentes e funções. Em caso de incumprimento existe perigo de choque eléctrico, incêndio, ferimentos graves ou fatais. Guarde o Manual de instruções incluindo todas as instruções, instruções de segurança e advertências para utilização posterior.
- Os produtos destinam-se ao utilizador profissional e só podem ser operados, mantidos e reparados por pessoal autorizado, devidamente qualificado. Estas pessoas deverão estar informadas em particular sobre os potenciais perigos. O produto e seu equipamento auxiliar podem representar perigo se usados incorrectamente por pessoas não qualificadas ou se usados para fins diferentes daqueles para os quais foram concebidos.





- O Manual de instruções fornecido corresponde ao actual avanço tecnológico no momento da impressão. Encontra a versão actual sempre online, na página de produtos Hilti. Para o efeito, siga a hiperligação ou o código QR neste Manual de instruções, identificado com o símbolo
- O manual de instruções deve permanecer sem ao alcance da mão junto do produto. Entregue o produto a outras pessoas apenas juntamente com o Manual de instruções.

#### Explicação dos símbolos

##### Advertências

As advertências alertam para perigos durante a utilização do produto. São utilizadas as seguintes palavras de aviso:



**PERIGO**

##### PERIGO !

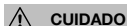
- Indica perigo iminente que pode originar acidentes pessoais graves ou até mesmo fatais.



**AVISO**

##### AVISO !

- Indica um possível perigo que pode causar graves ferimentos pessoais, até mesmo fatais.



**CUIDADO**

##### CUIDADO !

- Indica uma situação potencialmente perigosa que pode originar ferimentos corporais ou danos materiais.

#### Símbolos no manual de instruções

Neste manual de instruções são utilizados os seguintes símbolos:

	Consultar o manual de instruções
	Instruções de utilização e outras informações úteis
	Referência cruzada
	Manuseamento com materiais recicláveis
	Não deitar as ferramentas eléctricas e baterias no lixo doméstico

#### Símbolos nas figuras

Em figuras são utilizados os seguintes símbolos:

	Estes números remetem para a figura respectiva no início do presente manual de instruções.
	A numeração nas imagens indica passos de trabalho importantes ou componentes importantes para os passos de trabalho. No texto, estes passos de trabalho ou componentes são realçados com os respectivos números, p. ex. <b>(3)</b> .
	Na figura <b>Vista geral</b> são utilizados números de posição que fazem referência aos números da legenda na secção <b>Vista geral do produto</b> .
	Este símbolo pretende despertar a sua atenção durante o manuseamento do produto.

#### Símbolos no produto

##### Símbolos no produto

No produto são utilizados os seguintes símbolos:

	Cinzelar
	Posicionar o cinzel
	Classe II de protecção (com duplo isolamento)
	Use luvas de protecção

#### Segurança

##### Normas de segurança gerais para ferramentas eléctricas

**AVISO** Leia todas as normas de segurança, instruções, imagens e dados técnicos, com os quais esta ferramenta eléctrica está equipada. O não cumprimento das instruções a seguir pode resultar em choque eléctrico, incêndio e/ou ferimentos graves.

**Guarde bem todas as normas de segurança e instruções para futura referência.**

O termo "ferramenta eléctrica" utilizado nas normas de segurança refere-se a ferramentas com ligação à corrente eléctrica (com cabo de alimentação) ou a ferramentas a bateria (sem cabo).



### Segurança no posto de trabalho

- ▶ **Mantenha a sua área de trabalho limpa e bem iluminada.** Locais desarrumados ou mal iluminados podem ocasionar acidentes.
- ▶ **Não utilize a ferramenta eléctrica em ambientes explosivos ou na proximidade de líquidos ou gases inflamáveis.** Ferramentas eléctricas produzem faíscas que podem provocar a ignição de pó e vapores.
- ▶ **Mantenha crianças e terceiros afastados durante os trabalhos.** Distrações podem conduzir à perda de controlo sobre a ferramenta.

### Segurança eléctrica

- ▶ **A ficha da ferramenta eléctrica deve servir na tomada. A ficha não deve ser modificada de modo algum. Não utilize quaisquer adaptadores com ferramentas eléctricas com ligação terra.** Fichas originais (não modificadas) e tomadas adequadas reduzem o risco de choque eléctrico.
- ▶ **Evite o contacto do corpo com superfícies ligadas à terra, como, por exemplo, canos, radiadores, fogões e frigoríficos.** Existe um risco elevado de choque eléctrico se o corpo estiver com ligação à terra.
- ▶ **As ferramentas eléctricas não devem ser expostas à chuva nem à humidade.** A infiltração de água numa ferramenta eléctrica aumenta o risco de choque eléctrico.
- ▶ **Não use o cabo de ligação para transportar, pendurar ou desligar a ferramenta eléctrica da tomada. Mantenha o cabo de ligação afastado de calor, óleo, arestas vivas ou partes em movimento.** Cabos de ligação danificados ou emaranhados aumentam o risco de choque eléctrico.
- ▶ **Quando operar uma ferramenta eléctrica ao ar livre, utilize apenas cabos de extensão próprios para utilização no exterior.** A utilização de um cabo de extensão próprio para utilização no exterior reduz o risco de choques eléctricos.
- ▶ **Utilize um disjuntor diferencial se não puder ser evitada a utilização da ferramenta eléctrica em ambiente húmido.** A utilização de um disjuntor diferencial reduz o risco de choque eléctrico.

### Segurança física

- ▶ **Esteja alerta, observe o que está a fazer, e tenha prudência ao trabalhar com uma ferramenta eléctrica. Se estiver cansado ou sob influência de drogas, álcool ou medicamentos não efectue nenhum trabalho com ferramentas eléctricas.** Um momento de distração ao operar a ferramenta eléctrica pode causar ferimentos graves.
- ▶ **Use equipamento de segurança. Use sempre óculos de protecção.** Equipamento de segurança, como, por exemplo, máscara antipoeiras, sapatos de segurança antiderrapantes, capacete de segurança ou protecção auricular, de acordo com o tipo e aplicação da ferramenta eléctrica, reduzem o risco de lesões.
- ▶ **Evite um arranque involuntário. Assegure-se de que a ferramenta eléctrica está desligada antes de a ligar à fonte de alimentação e/ou à bateria, pegar nela ou a transportar.** Transportar a ferramenta eléctrica com o dedo no interruptor ou ligar uma ferramenta à tomada com o interruptor ligado (ON) pode resultar em acidentes.
- ▶ **Remova quaisquer chaves de ajuste (chaves de fenda), antes de ligar a ferramenta eléctrica.** Um acessório ou chave deixado preso numa parte rotativa da ferramenta pode causar ferimentos.
- ▶ **Evite posturas corporais desfavoráveis. Mantenha sempre uma posição correcta, em perfeito equilíbrio.** Desta forma será mais fácil manter o controlo sobre a ferramenta eléctrica em situações inesperadas.
- ▶ **Use roupa apropriada. Não use roupa larga ou jóias. Mantenha o cabelo, vestuário e luvas afastados das peças móveis.** Roupas largas, jóias ou cabelos compridos podem ficar presos nas peças móveis.
- ▶ **Se poderem ser montados sistemas de remoção e de recolha de pó, assegure-se de que estes estão ligados e são utilizados correctamente.** A utilização de um sistema de remoção de pó pode reduzir os perigos relacionados com a exposição ao mesmo.
- ▶ **Não se acomode numa falsa sensação de segurança e não ignore os regulamentos de segurança para ferramentas eléctricas, mesmo se estiver familiarizado com a ferramenta eléctrica após numerosas utilizações.** Agir de forma descuidada pode causar ferimentos graves dentro duma fracção de segundo.

### Utilização e manuseamento da ferramenta eléctrica

- ▶ **Não sobrecarregue a ferramenta. Use para o seu trabalho a ferramenta eléctrica correcta.** Com a ferramenta eléctrica adequada obterá maior eficiência e segurança se respeitar os seus limites.
- ▶ **Não utilize a ferramenta eléctrica se o interruptor estiver defeituoso.** Uma ferramenta eléctrica que já não possa ser accionada pelo interruptor é perigosa e deve ser reparada.
- ▶ **Retire a ficha da tomada e/ou remova uma bateria amovível antes de efectuar ajustes na ferramenta, substituir acessórios ou guardar a ferramenta.** Esta medida preventiva evita o accionamento accidental da ferramenta eléctrica.
- ▶ **Guarde ferramentas eléctricas não utilizadas fora do alcance das crianças. Não permita que a ferramenta seja utilizada por pessoas não familiarizadas com a mesma ou que não tenham lido estas instruções.** Ferramentas eléctricas operadas por pessoas não treinadas são perigosas.
- ▶ **Faça uma manutenção regular de ferramentas eléctricas e acessórios. Verifique se as partes móveis funcionam perfeitamente e não emperram ou se há peças quebradas ou danificadas que possam influenciar o funcionamento da ferramenta eléctrica. Peças danificadas devem ser reparadas antes da utilização da ferramenta.** Muitos acidentes são causados por ferramentas eléctricas com manutenção deficiente.
- ▶ **Mantenha as ferramentas de corte sempre afiadas e limpas.** Acessórios com gumes afiados tratados correctamente emperram menos e são mais fáceis de controlar.
- ▶ **Utilize a ferramenta eléctrica, acessórios, bits, etc., de acordo com estas instruções. Tome também em consideração as condições de trabalho e o trabalho a ser efectuado.** A utilização da ferramenta eléctrica para outros fins além dos previstos, pode ocasionar situações de perigo.
- ▶ **Mantenha punhos e respectivas superfícies secos, limpos e isentos de óleo e gordura.** Punhos e superfícies afins escorregadios não permitem um manuseamento e controlo seguro da ferramenta eléctrica em situações imprevistas.

### Manutenção

- ▶ **A sua ferramenta eléctrica só deve ser reparada por pessoal qualificado e só devem ser utilizadas peças sobressalentes originais.** Isto assegurará que a segurança da ferramenta eléctrica se mantenha.



## Normas de segurança para martelos

### Indicações de segurança para todos os trabalhos

- ▶ **Use protecção auricular.** Ruído em excesso pode levar à perda de audição.
- ▶ **Utilize os punhos auxiliares fornecidos com a ferramenta.** A perda de controlo da ferramenta pode causar ferimentos.
- ▶ **Segure a ferramenta pelas áreas isoladas dos punhos, quando executar trabalhos onde o acessório pode encontrar cabos eléctricos encobertos ou o próprio cabo de rede.** O contacto com um cabo sob tensão também pode colocar partes metálicas da ferramenta sob tensão e causar um choque eléctrico.

### Normas de segurança adicionais para martelo demolidor

#### Segurança física

- ▶ Utilize o produto e os acessórios somente se estiverem em perfeitas condições técnicas.
- ▶ Nunca efectue quaisquer manipulações ou modificações no produto ou nos acessórios.
- ▶ Ao cinzelar tectos, paredes e pavimentos garanta uma posição de trabalho firme e segura. Um atravessamento repentino poderá levar à perda do equilíbrio!
- ▶ Ao realizar trabalhos de perfuração, vede a área que se encontra do lado oposto dos trabalhos. Restos de demolição podem desprender-se e/ou cair e ferir outras pessoas.
- ▶ Durante a utilização, o utilizador e restantes pessoas que se encontrem na proximidade da ferramenta devem usar óculos de protecção, capacete de segurança, protecção auricular e luvas de protecção e máscara de protecção respiratória.
- ▶ Use luvas de protecção durante a substituição de acessórios. Tocar no acessório pode causar ferimentos por corte e queimaduras.
- ▶ Utilize óculos de protecção. Os estilhaços podem provocar ferimentos corporais, nomeadamente nos olhos.
- ▶ Pó produzido ao rectificar, lixar, cortar e furar pode conter produtos químicos perigosos. Alguns exemplos são: Chumbo ou tintas à base de chumbo; Tijolo, betão e outros produtos de alvenaria, pedra natural e outros produtos que contenham silicatos; Determinadas madeiras, como carvalho, faia e madeira tratada quimicamente; Amianto ou materiais contendo amianto. Determine a exposição do operador e das pessoas que se encontrem nas proximidades através da classe de perigo dos materiais a serem trabalhados. Tome as medidas necessárias para manter a exposição a um nível seguro como, por ex., a utilização de um sistema colector de pó ou o uso de uma protecção respiratória adequada. As medidas gerais para redução da exposição incluem:
  - ▶ Trabalhar num local bem ventilado,
  - ▶ Evitar o contacto prolongado com pó,
  - ▶ Afastar o pó do rosto e do corpo,
  - ▶ Usar roupa de protecção e lavar áreas expostas com água e sabão.
- ▶ Faça frequentemente pausas e exercícios para melhorar a circulação sanguínea nos dedos. Os trabalhos mais longos, devido às intensas vibrações, podem causar distúrbios nos vasos sanguíneos ou no sistema nervoso dos dedos, mãos ou pulsos.

#### Segurança eléctrica

- ▶ Antes de iniciar os trabalhos, verifique o local de trabalho relativamente a cabos eléctricos encobertos, bem como tubos de gás e água. Partes metálicas externas do produto podem causar um choque eléctrico ou uma explosão se, inadvertidamente, danificarem uma linha eléctrica, um cano de gás ou de água.

#### Utilização e manutenção de ferramentas eléctricas

- ▶ Ligue o produto somente quando o tiver colocado na posição de trabalho.
- ▶ Guarde até que o produto esteja parado, antes de o pousar.

#### Descrição

##### Vista geral do produto

- |   |                               |   |  |
|---|-------------------------------|---|--|
| ① | Porta-ferramentas             | ⑧ | Saídas de ar                                 |
| ② | Selector de funções           | ⑨ | Maçaneta                                     |
| ③ | Selector do nível de potência | ⑩ | Punho auxiliar                               |
| ④ | Interruptor (ON/OFF)          | ⑪ | Indicador de protecção anti-roubo (opcional) |
| ⑤ | Punho                         | ⑫ | Indicador de manutenção                      |
| ⑥ | Indicações                    | ⑬ | Indicador do nível de potência               |
| ⑦ | Cabo de alimentação           |   |  |

#### Utilização correcta

O produto descrito é um martelo demolidor eléctrico para trabalhos de cinzelamento de média intensidade. Destina-se a trabalhos de desmantelamento e demolição em betão, alvenaria e pedra.

- ▶ Certifique-se de que a corrente eléctrica à qual a ferramenta é ligada está de acordo com a mencionada na placa de características.

#### Active Vibration Reduction (AVR)

O martelo combinado está equipado com um sistema Active Vibration Reduction (AVR) que reduz significativamente a vibração.

#### Indicador de manutenção

O martelo demolidor está equipado com um indicador de manutenção com sinal luminoso.

Estado	Significado
Indicador de manutenção está aceso a vermelho.	Foi atingido o tempo de trabalho predeterminado e requer-se agora uma manutenção. Avaria na ferramenta.
Indicador de manutenção está a piscar a vermelho.	Disjuntor térmico. A tensão fornecida pela rede de alimentação é demasiado alta.





Leve o produto atempadamente ao Centro de Assistência Técnica **Hilti**. Deste modo permanece sempre pronto para funcionar.

#### Indicador do nível de potência

O martelo demolidor está equipado com um indicador do nível de potência com sinal luminoso.

Pressionando o selector do nível de potência, pode reduzir a capacidade de cinzelamento para aprox. 70%. Neste caso, o indicador do nível de potência acende-se.

#### Bloqueio de arranque

A ferramenta não arranca automaticamente após uma falha de energia. Primeiro, é necessário soltar o interruptor on/off e voltar a premi-lo.

#### Incluído no fornecimento

Martelo demolidor, punho auxiliar, manual de instruções.



Poderá encontrar outros produtos de sistema aprovados para o seu produto no seu Centro de Assistência **Hilti** ou online, em: [www.hilti.com](http://www.hilti.com)

#### Características técnicas

##### Martelo demolidor



Consulte a tensão nominal, corrente nominal, frequência e potência nominal na sua placa de características específica do país.

Em caso de alimentação por um gerador ou transformador, a respectiva potência de saída deverá ter, no mínimo, o dobro da potência nominal indicada na placa de características da ferramenta. A tensão de serviço do transformador ou gerador deverá encontrar-se sempre entre +5% e -15% da tensão nominal da ferramenta.

Energia de impacto	11,5 J
Geração de produtos	01
Peso	17,4 lb (7,9 kg)

#### Utilização

##### Preparação do local de trabalho



#### CAUIDADO

**Risco de ferimentos!** Arranque inadvertido do produto.

- ▶ Retire a ficha antes de efectuar ajustes na ferramenta ou substituir acessórios.

Tenha em atenção as instruções de segurança e as advertências nesta documentação e no produto.

##### Montagem do punho auxiliar 2



#### CAUIDADO

**Risco de ferimentos** Perda do controlo sobre o martelo demolidor.

- ▶ Certifique-se de que o punho auxiliar está correctamente montado e devidamente apertado.

1. Deslize a abraçadeira (cinta de aperto) e o punho auxiliar a partir da frente sobre o mandril até à ranhura prevista para o efeito.
2. Coloque o punho auxiliar na posição desejada.
3. Rode a maçaneta para apertar a abraçadeira (cinta de aperto) do punho auxiliar.

##### Colocar o acessório 3



#### AVISO

**Risco de ferimentos** O acessório fica quente após utilização prolongada e pode apresentar arestas vivas.

- ▶ Use luvas de protecção quando substituir os acessórios.



#### PERIGO

**Perigo de incêndio** Perigo em caso de contacto entre o acessório quente e materiais facilmente inflamáveis.

- ▶ Não pouse o acessório ainda quente sobre materiais facilmente inflamáveis.



Verifique o acessório quanto a danos e desgaste irregular antes de cada utilização e, se necessário, substitua-o.



Utilize apenas massa lubrificante original da **Hilti**. A utilização de uma massa lubrificante não adequada pode provocar danos no produto.

1. Lubrifique ligeiramente o encabadouro do acessório.



2. Encaixe o acessório no mandril e rode-o aplicando ligeira pressão até que este encaixe de forma audível.
  - ▶ O produto está operacional.



Utilize apenas massa lubrificante original da **Hilti**. A utilização de uma massa lubrificante não adequada pode provocar danos no produto.

#### Retirar o acessório 4



#### PERIGO

**Perigo de incêndio** Perigo em caso de contacto entre o acessório quente e materiais facilmente inflamáveis.

- ▶ Não pouse o acessório ainda quente sobre materiais facilmente inflamáveis.



#### AVISO

**Risco de ferimentos** O acessório fica quente após utilização prolongada.

- ▶ Use luvas de protecção quando substituir os acessórios.

1. Puxe o mandril para trás.
2. Retire o acessório.



Utilize apenas massa lubrificante original da **Hilti**. A utilização de uma massa lubrificante não adequada pode provocar danos no produto.

#### Posicionar o cinzel 5



O cinzel pode ser fixo em 24 posições diferentes (em incrementos de 15°). Assim, tanto os cinzéis planos como os cinzéis côncavos podem ser ajustados na posição ideal para o trabalho em causa.

- ▶ Coloque o selector de funções nesta posição  e posicione o cinzel.

#### Bloquear o cinzel

- ▶ Coloque o selector de funções nesta posição , rode o cinzel até engatar.

#### Ajustar a capacidade de cinzelamento



Pressionando o selector do nível de potência, pode reduzir a capacidade de cinzelamento para aprox. 70%. Neste caso, o indicador do nível de potência acende-se.

O ajuste da capacidade de cinzelamento só é possível com a ferramenta ligada. Pressionando novamente o selector do nível de potência, volta a estar disponível a capacidade de cinzelamento máxima. Se se desligar e voltar a ligar a ferramenta, também volta a estar disponível a capacidade de cinzelamento máxima.

- ▶ Pressione o selector do nível de potência.

#### Trabalhar



#### AVISO

**Perigo devido a choque eléctrico!** Condutores de terra e disjuntores diferenciais em falta podem provocar ferimentos graves e queimaduras.

- ▶ Verifique que na linha de alimentação eléctrica do lado da obra, quer da rede ou do gerador, existem e estão conectados sempre condutores de terra e disjuntores diferenciais.
- ▶ Não coloque um produto em funcionamento sem estas medidas de segurança.




#### AVISO

**Perigo devido a cabo danificado!** Se danificar o cabo enquanto trabalha, não lhe toque e desligue o aparelho imediatamente. Retire a ficha de rede da tomada.

- ▶ Verifique o cabo eléctrico regularmente. Se danificado, deve ser imediatamente substituído por um especialista.

Solicite que o engenheiro ou arquitecto da obra autorize todos os trabalhos a realizar!

#### Cinzelar 6

- ▶ Coloque o selector de funções nesta posição .

#### Conservação e manutenção



#### AVISO

**Perigo devido a choque eléctrico!** A conservação e manutenção com a ficha de ligação inserida pode originar ferimentos graves e queimaduras.

- ▶ Retirar sempre a ficha de ligação antes de todos os trabalhos de conservação e manutenção!

#### Conservação

- Remova sujidade persistente com cuidado.
- Se existente, limpe as saídas de ar cuidadosamente com uma escova seca e macia.
- Limpe a carcaça apenas com um pano ligeiramente húmido.



## Manutenção

### AVISO

**Perigo devido a choque eléctrico!** Reparações incorrectas em peças eléctricas podem causar ferimentos e queimaduras graves.

- ▶ As reparações na parte eléctrica apenas podem ser executadas por um electricista especializado.
- Verifique, regularmente, todos os componentes visíveis quanto a danos e os comandos operativos quanto a funcionamento perfeito.
- Não opere o produto se existirem danos e/ou perturbações de funcionamento. Mandê reparar o produto imediatamente no Centro de Assistência Técnica **Hilti**.
- Após os trabalhos de conservação e manutenção, aplique todos os dispositivos de proteção e verifique se funcionam corretamente.

A garantir um funcionamento seguro utilize apenas peças sobresselentes, consumíveis e acessórios originais. Poderá encontrar peças sobresselentes, consumíveis e acessórios aprovados pela **Hilti** para o seu produto na sua **Hilti Store** ou em: [www.hilti.group](http://www.hilti.group)

### Limpeza da capa protectora contra pó

- ▶ Limpe periodicamente a capa protectora contra pó no porta-ferramentas com um pano limpo e seco.
- ▶ Limpe o vedante e unte-o com uma leve camada de massa **Hilti**.
- ▶ Substitua impreterivelmente a capa protectora contra pó se o vedante estiver danificado.

### Transporte e armazenamento

#### Transporte

- ▶ Não transporte este produto com a ferramenta inserida.
- ▶ Certificar-se de que está bem apertado durante o transporte.
- ▶ Após cada transporte, verifique todos os componentes visíveis quanto a danos e os comandos operativos quanto a funcionamento perfeito.

#### Armazenamento

- ▶ Armazene este produto sempre com a ficha de rede retirada.
- ▶ Guarde este produto num local seco e fora do alcance das crianças e pessoas não autorizadas.
- ▶ Após um armazenamento prolongado, verifique todos os componentes visíveis quanto a danos e os comandos operativos quanto a funcionamento perfeito.

### Ajuda em caso de avarias

No caso de avarias que não sejam mencionadas nesta tabela ou se não conseguir resolvê-las por si mesmo, contacte o nosso Centro de Assistência Técnica **Hilti**.

#### Localização de avarias

Avaria	Causa possível	Solução
O martelo demolidor não arranca.	A electrónica está a ser inicializada (isto leva até cerca de 4 segundos após a introdução da ficha na tomada).	▶ Desligue e volte a ligar o dispositivo.
	O bloqueio electrónico está activado após uma interrupção de corrente.	▶ Desligue e volte a ligar o dispositivo.
	Não recebe corrente eléctrica.	▶ Insira outra ferramenta eléctrica e verifique o funcionamento.
	Gerador em "Sleep Mode".	▶ Aplique uma carga ao gerador, conectando um outro consumidor (p. ex., uma lâmpada). Em seguida, desligue e volte a ligar a ferramenta.
	Avaria na ferramenta ou alcançado o tempo de trabalho para uma manutenção programada.	▶ Mandê reparar o produto apenas no Centro de Assistência Técnica <b>Hilti</b> .
Não tem percussão.	Ferramenta demasiado fria.	▶ Coloque o martelo demolidor sobre o material base e deixe-o trabalhar em vazio. Se necessário, repita, até o mecanismo de percussão trabalhar.
	O mandril não está suficientemente lubrificado.	▶ Aplique 1 a 2 bombadas de massa <b>Hilti</b> no mandril; em seguida, coloque o acessório e, puxando repetidamente o acessório, certifique-se de que a massa se espalha bem no mandril.
Indicador de manutenção está aceso a vermelho.	Avaria na ferramenta ou alcançado o tempo de trabalho para uma manutenção programada.	▶ Mandê reparar o produto apenas no Centro de Assistência Técnica <b>Hilti</b> .
Indicador de manutenção está a piscar a vermelho.	Disjuntor térmico.	▶ Deixe a ferramenta arrefecer. Limpe as saídas de ar. O funcionamento em vazio ainda é possível.
	A tensão fornecida pela rede de alimentação é demasiado alta.	▶ Substitua a tomada. Verifique a rede eléctrica.



Avaria	Causa possível	Solução
O martelo demolidor desliga-se durante o funcionamento.	Disjuntor térmico.	▶ Deixe a ferramenta arrefecer. Limpe as saídas de ar. O funcionamento em vazio ainda é possível.
Fraca performance do martelo demolidor.	Redução da capacidade activada.	▶ Selector do nível de potência accionado (prestar atenção ao indicador do nível de potência). Desligar da e voltar a ligar a ferramenta à tomada.
	Extensão de cabo demasiado comprida e/ou com secção inadequada.	▶ Utilize uma extensão de cabo com comprimento permitido e/ou com secção suficiente.
	A tensão fornecida pela rede de alimentação é demasiado baixa.	▶ Ligue a ferramenta a outra fonte de alimentação.
Não é possível soltar o cinzel do bloco.	O mandril não está completamente puxado para trás.	▶ Puxe o casquilho de bloqueio o máximo possível para trás e retire o acessório.

#### Reciclagem

As ferramentas **Hilti** são, em grande parte, fabricadas com materiais recicláveis. Um pré-requisito para a reciclagem é que esses materiais sejam devidamente separados. Em muitos países, a **Hilti** aceita a sua ferramenta usada para reutilização. Para mais informações dirija-se ao Serviço de Clientes **Hilti** ou ao seu vendedor.



- ▶ Não deite as ferramentas eléctricas, aparelhos electrónicos e baterias no lixo doméstico!

#### Garantia do fabricante

- ▶ Se tiver dúvidas em relação às condições de garantia, contacte o seu parceiro **Hilti** local.





Hilti Corporation  
LI-9494 Schaan  
Tel.:+423 234 21 11  
Fax:+423 234 29 65  
[www.hilti.group](http://www.hilti.group)



428076